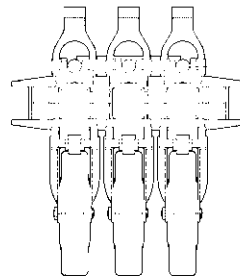
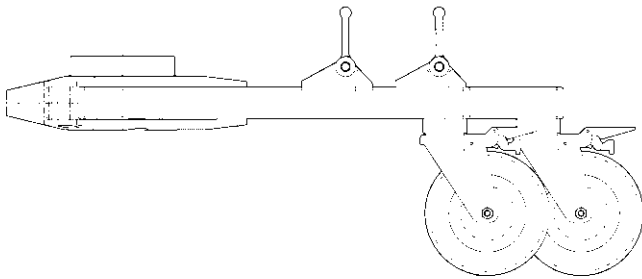
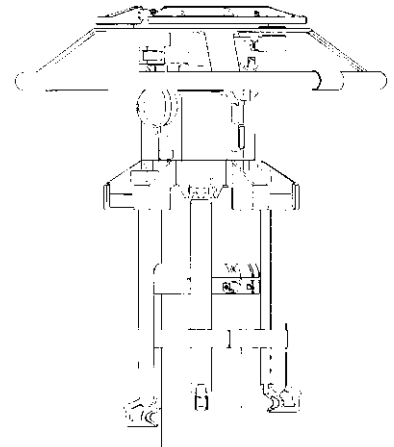
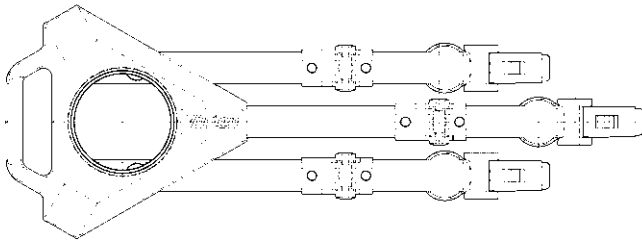


Pro-Ped Pedestal

3983-3



	STUDIO	OB
Payload	55 kg (120 lb)	55 kg (120 lb)
Column weight	19 kg (41.8 lb)	19 kg (41.8 lb)
Skid weight	9.4 kg (20.7 lb)	9 kg (19.8 lb)
Trim weights (6 off - total)	3.4 kg (7.5 lb)	3.4 kg (7.5 lb)
Total pedestal weight	31.8 kg (70 lb)	31.4 kg (69.1 lb)
Minimum height	66.6 cm (26.2 in.)	68.5 cm (27 in.)
Maximum height	147.5 cm (58.1 in.)	150 cm (59.1 in.)
On-shot stroke	41 cm (16.1 in.)	41 cm (16.1 in.)
Skid leg radius	48 cm (19 in.)	48 cm (19 in.)
Wheel diameter	12.5 cm (5 in.)	15 cm (6 in.)
Steering ring diameter	53.4 cm (21 in.)	53.4 cm (21 in.)
Max working pressure	9.65 bar (140 psi)	9.65 bar (140 psi)
Relief valve pressure	11.38 bar (165 psi)	11.38 bar (165 psi)

Technical Data

Vinten

Main Assemblies

Pro-Ped, OB version	3983-3B
Pro-Ped, studio version,	3983-3C
Column	3983-11
OB skid	3985-3B
Studio skid	3985-3C
Gas strut - 0-18 kg (0-40 lb)	3328-307
Gas strut - 18-32 kg (40-70 lb)	3328-306
Gas strut - 32-55 kg (70-120 lb)	3328-305
Trim weight	3328-328
Spanner - for head bolts	J551-001

Vinten Broadcast Limited
Western Way, Bury St. Edmunds
Suffolk IP33 3TB, United Kingdom
Telephone +44 (0)1284 752121
Telefax +44 (0)1284 750560
Sales Office Fax +44 (0)1284 757929

Vinten Inc.
709 Executive Boulevard
Valley Cottage, NY 10989, USA
Telephone +1 845 268 0100
Telefax +1 845 268 0113
Toll Free 1 888 4 VINTEN (Service)
1 888 2 VINTEN (Sales)

Vinten GmbH
Gebäude 16
Planiger Straße 34
D-55543 Bad Kreuznach, Germany
Telephone +49 (0) 671/483 43-30
Telefax +49 (0) 671/483 43-50

Vinten Broadcast s.a.r.l.
171, Avenue des Grésillons
92635 GENNEVILLIERS Cedex
France
Telephone +33 08 20 82 13 36
Telefax +33 08 25 82 61 81

Vinten Japan KK
3-37-5 Sendagaya
Shibuya-Ku, Tokyo 151-0051, Japan
Telephone +81 3-3478-6017
Telefax +81 3-3478-6018

Vinten Asia Pacific Pte Ltd
6 New Industrial Road
#02-02 Hoe Huat Industrial Building
Singapore 536199
Telephone +65 62975776
Telefax +65 62975778

Vinten