



Compact Prime and Zoom lenses

Flexibility and performance in a winning combination.



We make it visible.

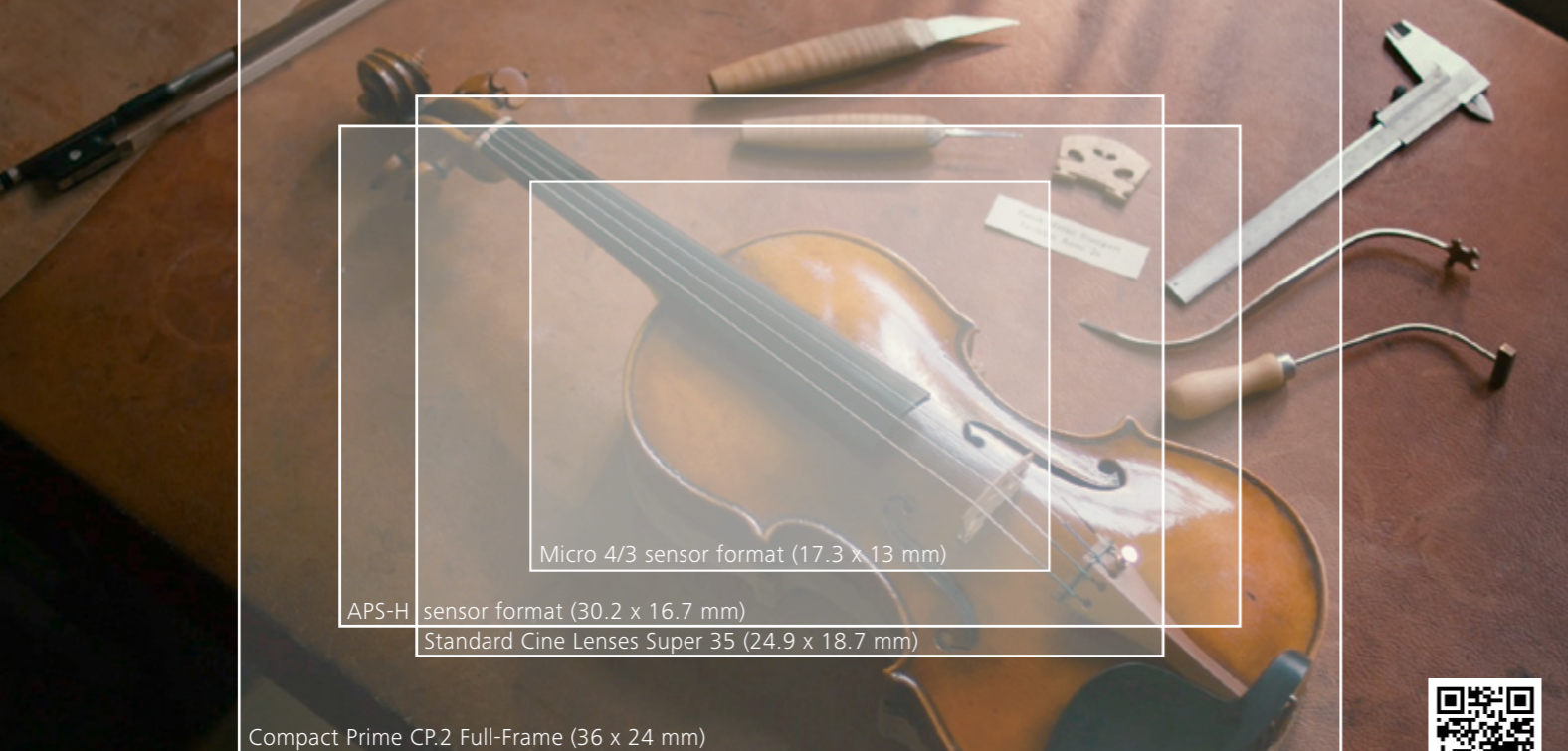


// FLEXIBILITY
MADE BY CARL ZEISS

The moment you shout “action!” and feel your story come together.
This is the moment we work for.

Enjoy absolute flexibility and truly stellar performance. With ZEISS Compact Prime and Zoom lenses. When you're on a shoot, performance is paramount – regardless of whether it is from your actors, your crew, or indeed your lenses. But oftentimes, flexibility can be just as important as outright performance. That is why we developed the Compact Prime CP.2 lenses, the Lightweight Zoom LWZ.2 and the Compact Zoom CZ.2 – a versatile set of lenses with interchangeable mounts to offer you the greatest possible flexibility in a wide range of focal lengths coupled with truly breathtaking performance. Additionally, their exceptional reliability even in the most challenging environmental conditions allows you to focus on making the most of the moment when talent and technology come together for that perfect scene.

Whether you're shooting a commercial where exquisite color rendition and high contrast is important, or a tense, dramatic sequence in low light situations for a feature film, ZEISS Compact Prime and Zoom lenses offer you the performance you need to get the scene right. With a wide range of focal lengths, full-frame coverage, fantastic image quality, great flare suppression and precise focussing through the large rotation angle, ZEISS Compact Prime and Zoom lenses give you a flexible set of tools to make your film shine.



watch video at: <http://vimeo.com/28343785>

High-performance cine lenses that make the most of the moment

ZEISS Compact Prime and Zoom lenses deliver great flexibility thanks to interchangeable mounts, allowing them to be used with a wide range of cameras from traditional cine to HD/SLR systems. There is a comprehensive choice of lenses, which all cover the full frame – from wide-angles to teles (15 to 200 mm, including a 50 mm Macro lens, 35 to 85 mm Super Speed Zoom lenses). Affordable, flexible and offering the highest quality, the new Compact Prime and Zoom lenses are an invaluable addition to any film set.



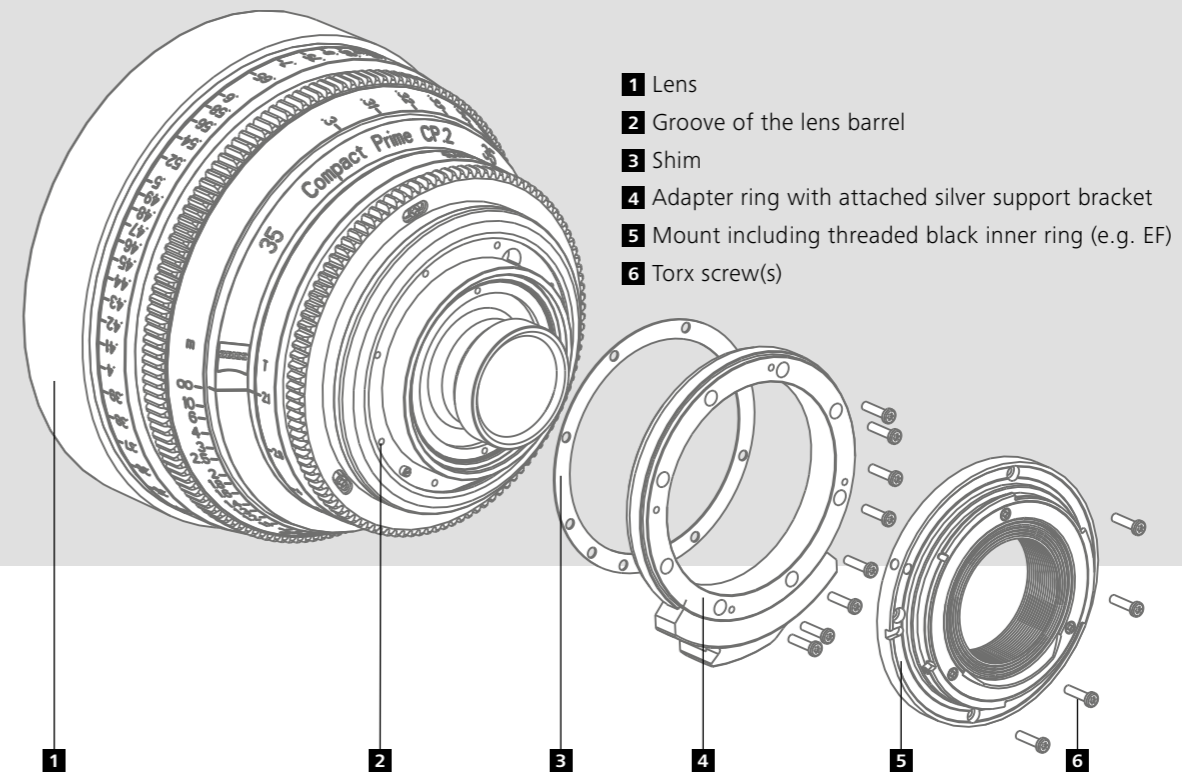
- Interchangeable mounts
- Full-frame format¹
- Standard focus and iris gear positions
- Calibrated lens scales

Tailor-made protection for all your lenses.

To keep your Compact Prime and Zoom lenses safe and ensure uncomplicated transport, we developed a carrying case that's as flexible as the lenses themselves. It has been tested to guarantee maximum protection and can be used for all focal lengths and combinations. Also, the lenses are stored on their sides, making it easy to see their aperture rating, allowing for a quick change when necessary.

- Three versions: one for 4, one for 6 lenses and one for a Zoom lens
- Convenient hand recess for easy handling

The new CP.2 Transport Cases will begin shipping on June 1, 2012



Unparalleled versatility. The Compact Prime lenses are the world's first cine lenses designed for all types of cameras (HD/SLR to high-end digital movie cameras). The interchangeable mount guarantees high flexibility for present and future use in any situation and for a wide range of camera platforms.

- Allows a mix of HD/SLR systems with professional cine cameras, for maximum flexibility on set
- No need for adapter solutions anymore
- Five different mounts available (PL, EF, F, Micro 4/3 and E mount)

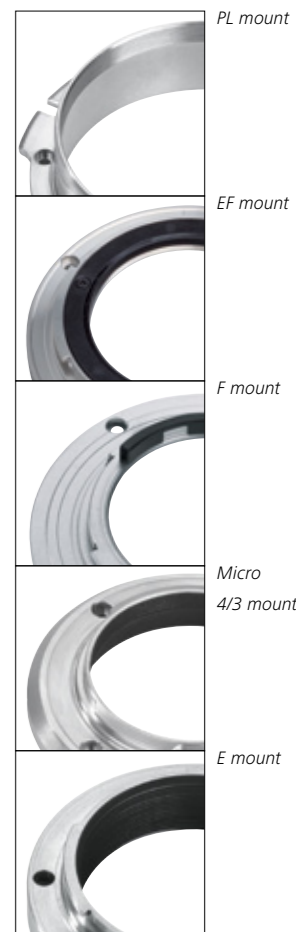
Future-proof performance. ZEISS Compact Prime and Zoom lenses feature exquisite optics in a robust, durable package – two characteristics that will surely remain desirable for decades to come. And thanks to their interchangeable mounts, Compact Prime and Zoom lenses offer the possibility to upgrade to any number of existing or future cine and still cameras while still using the same set of lenses. Additionally, they all cover a full-frame image format without vignetting.¹

- Full-frame coverage (36 x 24 mm) for focal lengths of 15 to 135 mm
- Common aperture of T2.1 for the standard lens set (LWZ.2: T2.6; CZ.2: T2.9; Super Speed: T1.5)
- Sweet spot effect with Super 35 sensors

Round out-of-focus highlights.² For intense, aesthetic round out-of-focus highlights and smooth bokeh, you need the best possible performance from the iris opening. The iris of the Compact Prime CP.2 lenses is created by 14 high precision blades² and stays consistently round and symmetrical over the entire T-stop range. Giving you the power to compose an ideal image and capture vital moments perfectly on digital sensors.

Unrivalled image quality. ZEISS Compact Prime and Zoom lenses are precision engineered within the tightest possible tolerances. This guarantees you excellent image quality with low distortion, high resolution and excellent color rendition for sharp, punchy pictures.

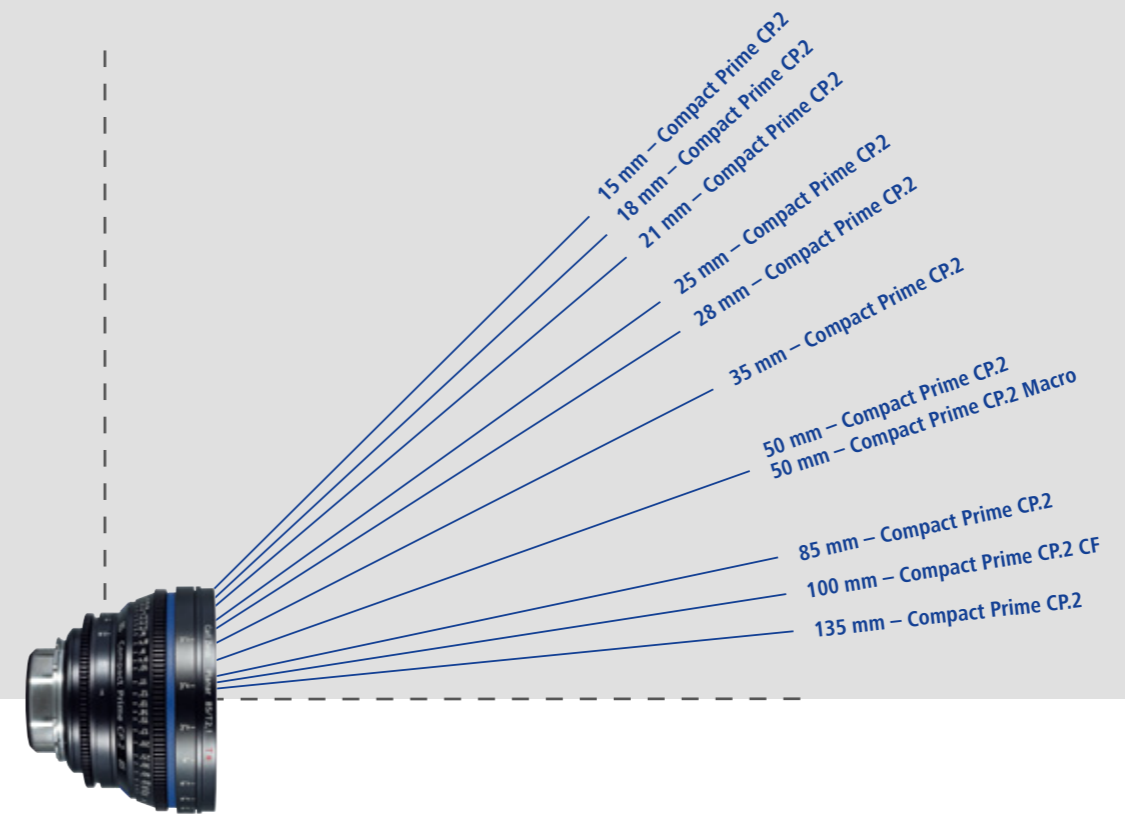
- High resolution and contrast; ready for 4k
- Excellent color correction
- Great flare suppression through T* anti-reflex coating and internal light traps
- Low distortion
- Color matched



¹ LWZ.2 only Super 35 and CP.2 18 mm T3.6 also APS-H
² CZ.2 18 blades; LWZ.2 9 blades



watch video at: <http://vimeo.com/28343085>



Compact Prime CP.2 lenses

A winning ensemble.

One of the most important aspects of a successful production is the competence and diversity of your team. And surely, this should apply to your set of lenses as well. The full range of Compact Prime CP.2 lenses gives you not only the flexibility you need but also the competence and high performance you expect from your equipment. With its long history in both photo and cine lenses, Carl Zeiss is dedicated to supporting filmmakers and allowing you to benefit from the highest possible image quality in any situation.

The improved functionality of Compact Prime CP.2 lenses offers better ergonomics compared to regular SLR lenses:

- Full-frame coverage (CP.2 18 mm APS-H maximum coverage)
- Interchangeable mount
- Longer focus rotation and a manual focus and iris
- Robust cine-style housing with the ability to utilize follow-focus
- Standard focus and iris gear positions
- Consistent front diameter (except 50 Macro)
- Calibrated focus scales
- Manual, continuous aperture control

Horizontal angle of view, regardless the format

Ranging from 15 to 135 mm, the eleven focal lengths currently available in the Compact Prime CP.2 series cover all applications from wide angle to teles. The graphic shows the horizontal angle of view ratio between each focal length, using the example of the full-frame format.



Compact Prime CP.2 lenses	Compact Prime CP.2 15 mm/T2.9	Compact Prime CP.2 18 mm/T3.6	Compact Prime CP.2 21 mm/T2.9	Compact Prime CP.2 25 mm/T2.9	Compact Prime CP.2 28 mm/T2.1	Compact Prime CP.2 35 mm/T2.1	Compact Prime CP.2 50 mm/T2.1	Compact Prime Macro CP.2 50 mm/T2.1 ⁹	Compact Prime CP.2 85 mm/T2.1	Compact Prime CP.2 100 mm/T2.1 CF ¹⁰	Compact Prime CP.2 135 mm/T2.1
Aperture range	T 2.9 to T 22	T 3.6 to T 22	T 2.9 to T 22	T 2.9 to T 22	T 2.1 to T 22	T 2.1 to T 22	T 2.1 to T 22	T 2.1 to T 22	T 2.1 to T 22	T 2.1 to T 22	T 2.1 to T 22
Close focus distance ¹	0.3 m / 12"	0.3 m / 12"	0.24 m / 10"	0.17 m / 7"	0.24 m / 10"	0.3 m / 12"	0.45 m / 18"	0.24 m / 10"	1 m / 3'3"	0.7 m / 2'6"	1 m / 3'3"
Horizontal angle of view											
Full-Frame ²	100°	—	81°	72°	65°	54°	40°	40°	24°	20°	15°
APS-H ³	90°	80°	71°	62°	57°	47°	34°	34°	20°	17°	13°
Super 35 ⁴	79°	69°	61°	53°	48°	39°	28°	28°	17°	14°	11°
Normal 35 ⁵	73°	63°	55°	47°	43°	35°	25°	25°	15°	13°	9°
APS-C ⁶	73°	64°	56°	48°	43°	35°	25°	25°	15°	13°	9°
MFT ⁷	60°	51°	45°	38°	34°	28°	20°	20°	12°	10°	7°
Length ⁸	86 mm / 3.39"	80 mm / 3.15"	80 mm / 3.15"	80 mm / 3.15"	80 mm / 3.15"	80 mm / 3.15"	80 mm / 3.15"	132 mm / 5.19"	80 mm / 3.15"	132 mm / 5.19"	149 mm / 5.86"
Front diameter	114 mm / 4.5"	114 mm / 4.5"	114 mm / 4.5"	114 mm / 4.5"	114 mm / 4.5"	114 mm / 4.5"	114 mm / 4.5"	134 mm / 5.3"	114 mm / 4.5"	114 mm / 4.5"	114 mm / 4.5"
Weight	0.9 kg / 2.0 lbs	0.9 kg / 2.0 lbs	1.0 kg / 2.2 lbs	0.9 kg / 2.0 lbs	1.0 kg / 2.2 lbs	1.0 kg / 2.2 lbs	0.9 kg / 2.0 lbs	1.35 kg / 3.0 lbs	0.9 kg / 2.0 lbs	1.49 kg / 3.3 lbs	1.6 kg / 3.5 lbs

¹ Close focus distance is measured from the image plane
² Horizontal angle of view for a full-frame camera aperture (aspect ratio 1:1.5, dimensions 36 mm x 24 mm / 1.42" x 0.94")
³ Horizontal angle of view for an APS-H camera aperture (aspect ratio 1:1.81, dimensions 30.2 mm x 16.7 mm / 1.19" x 0.66")
⁴ Horizontal angle of view for an ANSI Super 35 Silent camera aperture (aspect ratio 1:1.33, dimensions 24.9 mm x 18.7 mm / 0.98" x 0.74")
⁵ Horizontal angle of view for a Normal 35 Academy camera aperture (aspect ratio 1:1.37, dimensions 22 mm x 16 mm / 0.87" x 0.63")
⁶ Horizontal angle of view for an APS-C camera aperture (aspect ratio 1:1.50, dimensions 22.3 mm x 14.9 mm / 0.88" x 0.59")
⁷ Horizontal angle of view for a Micro 4/3 (MFT)-camera aperture (aspect ratio 1:1.33, dimensions 17.3 mm x 13 mm / 0.68" x 0.51")
⁸ Front to PL mount flange
⁹ Exposure Compensation is labeled next to the magnification factor
¹⁰ CF: Close focus capability

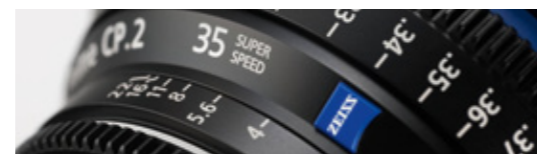


watch video at: <http://vimeo.com/39266449>

Compact Prime CP.2 Super Speed lenses

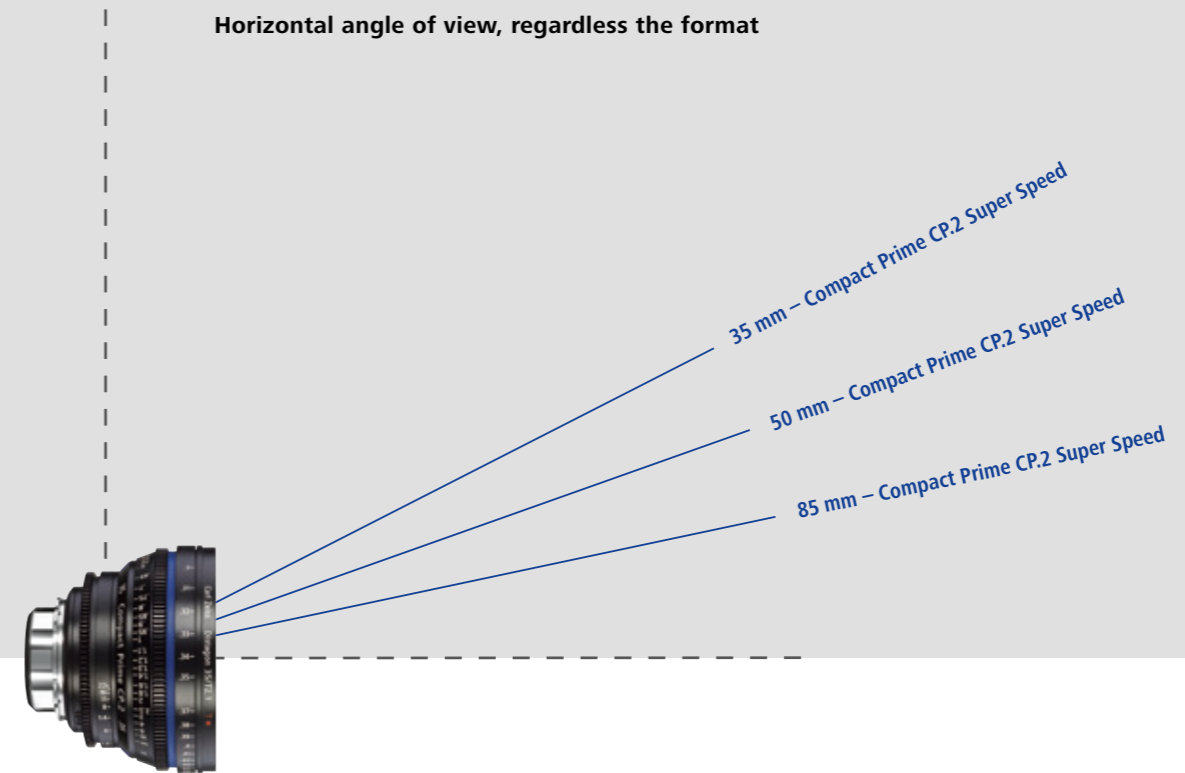
Take flexibility even further.

The new Compact Prime CP.2 Super Speed lenses are an ideal complement to the existing range of CP.2 lenses. The aperture of T1.5 gives you an even wider range of creative possibilities when shooting in low light environments or when aiming to achieve a cinematic shallow depth of field. Giving you the freedom to experiment and the flexibility to make your unique vision become reality.



Compact Prime CP.2 Super Speed lenses	Compact Prime CP.2 35 mm/T1.5 Super Speed	Compact Prime CP.2 50 mm/T1.5 Super Speed	Compact Prime CP.2 85 mm/T1.5 Super Speed
Aperture range	T 1.5 to T 22	T 1.5 to T 22	T 1.5 to T 22
Close focus distance ¹	0.3 m / 12"	0.45 m / 18"	1 m / 3'3"
Horizontal angle of view			
Full-Frame ²	54°	40°	24°
APS-H ³	47°	34°	20°
Super 35 ⁴	39°	28°	17°
Normal 35 ⁵	35°	25°	15°
APS-C ⁶	35°	25°	15°
MFT ⁷	28°	20°	12°
Length ⁸	91 mm / 3.58"	80 mm / 3.15"	80 mm / 3.15"
Front diameter	114 mm / 4.5"	114 mm / 4.5"	114 mm / 4.5"
Weight	1.1 kg / 2.4 lbs	0.9 kg / 2.0 lbs	0.9 kg / 2.0 lbs

¹ Close focus distance is measured from the image plane
² Horizontal angle of view for a full-frame camera aperture (aspect ratio 1:1.5, dimensions 36 mm x 24 mm / 1.42" x 0.94")
³ Horizontal angle of view for an APS-H camera aperture (aspect ratio 1:1.81, dimensions 30.2 mm x 16.7 mm / 1.19" x 0.66")
⁴ Horizontal angle of view for an ANSI Super 35 Silent camera aperture (aspect ratio 1:1.33, dimensions 24.9 mm x 18.7 mm / 0.98" x 0.74")
⁵ Horizontal angle of view for a Normal 35 Academy camera aperture (aspect ratio 1:1.37, dimensions 22 mm x 16 mm / 0.87" x 0.63")
⁶ Horizontal angle of view for an APS-C camera aperture (aspect ratio 1:1.50, dimensions 22.3 mm x 14.9 mm / 0.88" x 0.59")
⁷ Horizontal angle of view for a Micro 4/3 (MFT) camera aperture (aspect ratio 1:1.33, dimensions 17.3 mm x 13 mm / 0.68" x 0.51")
⁸ Front to PL mount flange



The new Compact Prime CP.2 Super Speed lenses offer:

- T1.5
- Full-frame coverage
- Interchangeable mount
- Compact size and low weight of 0.9 to 1.1 kg
- Robust cine-style housing with the ability to utilize follow-focus
- Standard focus and iris gear positions
- Consistent front diameter
- Longer focus rotation and a manual focus and iris
- Calibrated focus scales
- Manual, continuous aperture control

Horizontal angle of view, regardless the format

The three most widely used focal lengths in the Compact Prime CP.2 Super Speed series (35 mm, 50 mm, 85 mm) cover a wide range of applications. The graphic shows the horizontal angle of view ratio between each focal length, using the example of the full-frame format.

Compact Prime CP.2 lenses vs. SLR lenses	Compact Prime CP.2 Lenses (incl. Compact Prime CP.2 Super Speed lenses)	SLR Lenses (F and EF mount available)
Interchangeable mount	✓ (PL, EF, F, E, MFT)	
Cine quality robust housing	✓	
Compatible with standard rig	✓	
Standard focus/iris ring position	✓	
Standard housing dimensions	✓	
Calibrated lens scales	✓	
Standard focus rotation of 300°	✓	
Number of iris blades	14	9
Consistent performance across whole T-stop range	+++	+++
Distortion	+++	+++
Resolution	+++	+++
Evenly illuminated field	+++	+++
Close focus performance	+++	+++
Flare suppression ¹	+++	++
Max. aperture	T1.5	f1.4
Number of lenses available	14 (10 Standard, 3 Super Speed and 1 Macro)	12 (F mount) / 11 (EF mount)
Widest/longest focal length (in mm)	15–135	15–100
Weight	++	+++
Max. image area covered	Full-frame still image (36 x 24 mm / 1.417" x 0.945") ²	Full-frame still image (36 x 24 mm / 1.417" x 0.945")

¹The Compact Prime CP.2 lenses and SLR lenses contain a number of flare-suppressing measures, including the T* lens coating, internal light traps and housing interiors painted with several types of black lacquer with different refractive indices. These measures ensure a high contrast image with clearly defined highlights and deep, rich blacks.
²The Compact Prime CP.2 18 mm/T3.6 covers the APS-H format.



watch video at: <http://vimeo.com/39194702>



Lightweight Zoom LWZ.2

For an even more breathtaking performance.

The Lightweight Zoom LWZ.2 is the ideal lens for shooting in confined spaces like air-planes, car interiors or elevators thanks to its focal range of 15.5–45 mm. It is also great when a lightweight camera is needed for action sequences, and for applications where size and weight are at a premium, including Steadicam, handheld, remote heads, car rigs, motorcycle rigs, bicycle mounts, body mounts and underwater shoots.

- Interchangeable mount
- Super color matched with all ZEISS cine lenses
- Highest optical performance despite compact build
- T* XP coating ensures flare resistance
- Robust cine-style housing
- Calibrated focus scales
- Consistent aperture over the zoom range
- No focus shift over the zoom range

Lightweight Zoom LWZ.2 15.5–45 mm/T2.6

Aperture range	T 2.6 to T 22
Focal range	15.5–45 mm
Close focus distance ¹	0.45 m / 18"
Horizontal angle of view	
Full-Frame ²	–
APS-H ³	–
Super 35 ⁴	31–78°
Normal 35 ⁵	27–71°
APS-C ⁶	28–71°
MFT ⁷	22–58°
Length ⁸	209 mm / 8.23"
Front diameter	114 mm / 4.5"
Weight	2 kg / 4.4 lbs

Compact Zoom CZ.2 70–200 mm/T2.9

Aperture range	T 2.9 to T 22
Focal range	70–200 mm
Close focus distance ¹	1.52 m / 5'
Horizontal angle of view	
Full-Frame ²	10–29°
APS-H ³	9–24°
Super 35 ⁴	7–20°
Normal 35 ⁵	6–18°
APS-C ⁶	6–18°
MFT ⁷	5–14°
Length ⁸	250 mm / 9.84"
Front diameter	95 mm / 3.7"
Weight	2.8 kg / 6.2 lbs

- ¹ Close focus distance is measured from the image plane
- ² Horizontal angle of view for a full-frame camera aperture (aspect ratio 1:1.5, dimensions 36 mm x 24 mm / 1.42" x 0.94")
- ³ Horizontal angle of view for an APS-H camera aperture (aspect ratio 1:1.81, dimensions 30.2 mm x 16.7 mm / 1.19" x 0.66")
- ⁴ Horizontal angle of view for an ANSI Super 35 Silent camera aperture (aspect ratio 1:1.33, dimensions 24.9 mm x 18.7 mm / 0.98" x 0.74")
- ⁵ Horizontal angle of view for a Normal 35 Academy camera aperture (aspect ratio 1:1.37, dimensions 22 mm x 16 mm / 0.87" x 0.63")
- ⁶ Horizontal angle of view for an APS-C camera aperture (aspect ratio 1:1.50, dimensions 22.3 mm x 14.9 mm / 0.88" x 0.59")
- ⁷ Horizontal angle of view for a Micro 4/3 (MFT) camera aperture (aspect ratio 1:1.33, dimensions 17.3 mm x 13 mm / 0.68" x 0.51")
- ⁸ Front to PL mount flange



Compact Zoom CZ.2

Get closer to the action.

The new Compact Zoom CZ.2 is as versatile as it is powerful and incorporates features never before seen on a lens of this kind. With its zoom length of 70–200 mm, it gives you a wide range of creative options. Its compact size and light weight of only 2.8 kg make it the ideal companion for even the most ambitious projects. And thanks to its robust, cine-style housing (which also allows for the use of a follow-focus system), its full-frame coverage and interchangeable mounts, it will be a reliable partner for years to come.

- Full-frame coverage
- Interchangeable mount
- Robust cine-style housing
- Round 18 blade iris
- Great flare suppression
- Calibrated focus scales
- Consistent aperture over the zoom range
- No focus shift over the zoom range

Overview Zoom lenses	Lightweight-Zoom LWZ.2 15.5–45 mm/T2.6	Compact Zoom CZ.2 70–200 mm/T2.9
Interchangeable mount	✓ (PL, EF, F, MFT)	✓ (PL, EF, F, E, MFT)
Cine quality robust housing	✓	✓
Compatible with standard rig	✓	✓
Calibrated lens scales	✓	✓
Focus rotation of	337°	317°
Number of iris blades	9	18
Consistent performance across whole T-stop range	+++	+++
Distortion	+++	+++
Resolution	+++	+++
Evenly illuminated field	+++	+++
Close focus performance	+++	+++
Flare suppression	+++ ¹	+++ ²
Max. aperture	T2.6	T2.9
Focal Length Range	15.5–45 mm	70–200 mm
Weight	+++	++
Max. image area covered	ANSI Super 35 image area (24.9 x 18.7 mm / 0.980" x 0.7362")	Full-frame still image (36 x 24 mm / 1.417" x 0.945")

¹T*XP ²T*

Carl Zeiss AG
Camera Lens Division
73446 Oberkochen
Germany

Phone: +49 7364 20-6175
Fax: +49 7364 20-4045
www.zeiss.com/cine