

# ME 62

## Microphones | Back-Electret Microphone Head Suitable for K6 and K6P Powering Modules

Cat. No. 003281

### General Description

The ME 62 is an omni-directional microphone head suitable for K6 and K6P powering modules. It can be used for reporting, discussions and interviews. The ME 62 is particularly suitable for good reproduction of 'room' ambience and 'spaced omni' stereo recording. Matt black, anodised, scratch-resistant finish.



Pictured with K6 powering module and cable (available separately)

### Features

- Omni-directional pick-up pattern
- Minimal inherent self-noise
- Excellent rejection of rumble, wind and handling noise
- Wide frequency response
- High maximum sound pressure level
- Integral pop filter
- Delivery includes: 1 ME 62

### Recommended Accessories

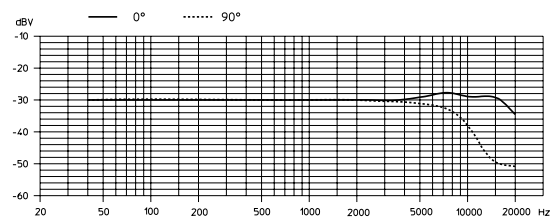
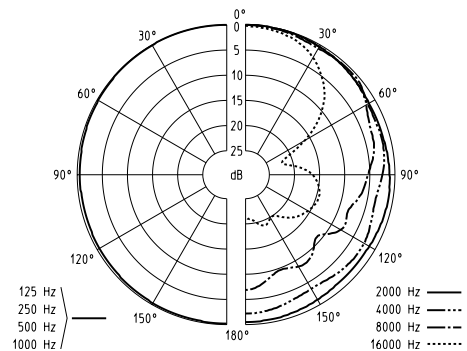
- MZW 64 foam windshield
- MZW 64 pro foam windshield

Cat. No. 003703

Cat. No. 003711

### Technical Data

Pick-up pattern .....	omni-directional
Frequency response .....	20 – 20,000 Hz $\pm$ 2.5 dB
Sensitivity (free field, no load) (1 kHz) .....	31 mV/Pa $\pm$ 2.5 dB
Nominal impedance .....	200 $\Omega$ (with K6)
Min. terminating impedance .....	1 k $\Omega$ (with K6)
Equivalent noise level	
A-weighted (DIN IEC 651) .....	15 dB
CCIR-weighted (CCIR 468-3) .....	27 dB
Max. SPL (1 kHz) .....	130 dB (THD = 1 %)
Dimensions .....	$\varnothing$ 22.5 x 94 mm
Weight .....	30 g



### Profile

Omni-directional microphone head suitable for K6 and K6P powering modules. Frequency response 20 Hz – 20,000 Hz  $\pm$  2.5 dB, sensitivity (free field, no load) 31 mV/Pa  $\pm$  2.5 dB at 1 kHz, nominal impedance 200  $\Omega$  (with K6), min. terminating impedance 1 k $\Omega$  (with K6), equivalent noise level A-weighted 15 dB, CCIR-weighted 27 dB, max. SPL 130 dB at 1 kHz (THD = 1 %), dimensions  $\varnothing$  22.5 x 94 mm, weight 30 g.