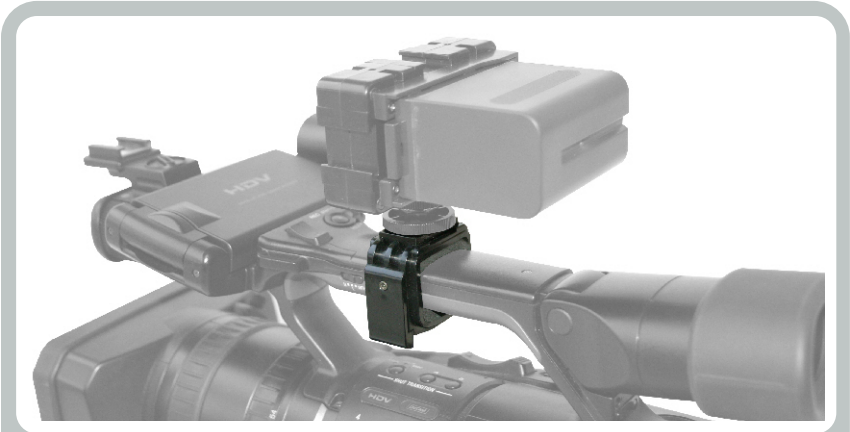


HC-1 Hot-Clamp

Camera Handle Hot-Shoe Adaptor



The **HC-1** 'Hot-Clamp' is a single hot-shoe adaptor designed to conveniently clamp on to the handle of most cameras.

With a simple clip feature, the lightweight and robust Hot-Clamp allows the user to mount an additional piece of on-board hardware. This could be another power source adaptor, such as the Hawk-Woods HB-B1 Hot-Bloc.

Once this pair of products is mounted together and a battery attached, the handle position of the Hot-Clamp means the weight is well distributed. The user can then power an on-board lamp, radio mic or hard disk recorder.

The HC-1 Hot-Clamp adaptor is available now from your preferred Hawk-Woods dealer.



www.hawkwoods.com

Briscall House, Wotton Road, Kingsnorth Industrial Estate,
Ashford, Kent TN23 6LN ENGLAND

Tel +44(0)1233 638 715 Email sales@hawkwoods.com Web www.hawkwoods.com