

Blackmagic Studio Camera 4K



The Blackmagic Studio Camera 4K is the live broadcast camera that's ready for multi camera Ultra HD production today. Featuring a massive 10" viewfinder, MFT lens mount, 4 hour battery, talkback, tally indicators, phantom powered microphone connections, 12G-SDI and user upgradeable optical fiber connections that let you connect to your switcher with a single cable! The advanced 4K model is switchable to 1080 HD, that means you can work in HD today and you're always ready for Ultra HD production.

\$2,495

Camera Features

Effective Sensor Size

13.056mm x 7.344mm

Resolution and Frame Rates

HD 720p50, 59.94, 60.

HD 1080p23.98, 24, 25, 29.97, 30, 50, 59.94, 60.

HD 1080i50, 59.94, 60.

Ultra HD 2160p23.98, 24, 25, 29.97, 30, 50, 59.94, 60.

Focus

Auto focus. Peaking mode.

Iris Control

Iris button automatically adjusts the lens iris settings so no pixel is clipped in film mode. Scene average auto exposure in video mode.

Lens Mount

Active MFT Mount

Screen Dimensions

1 x 10.1" - 1920 x 1200

Screen Type

10.1" - TFT-LCD

Controls

Push button controls for navigating menus.

Microphone

Integrated stereo microphone

Mounting Options

2 x 3/8" tripod mount. 4 x 1/4"-20 UNC thread mounting points on top of camera, 3 x 1/4" 20 UNC thread mounting points left and right of camera.

Connections

SDI Video Output

1 x 12G-SDI 10-bit 4:2:2

SDI Video Input

1 x 12G-SDI

Ref Input

1 x Reference Input

Optical Fiber Input/Output

12G Optical Fiber Input and Output capable.

Optical fiber SFP module sold separately.

Analog Audio Input

2 x XLR analog switchable between mic and line levels. Phantom power support.

Analog Audio Output

Aviation headphone (Fixed Wing Plugs) output for talkback and audio monitoring

SDI Audio Output

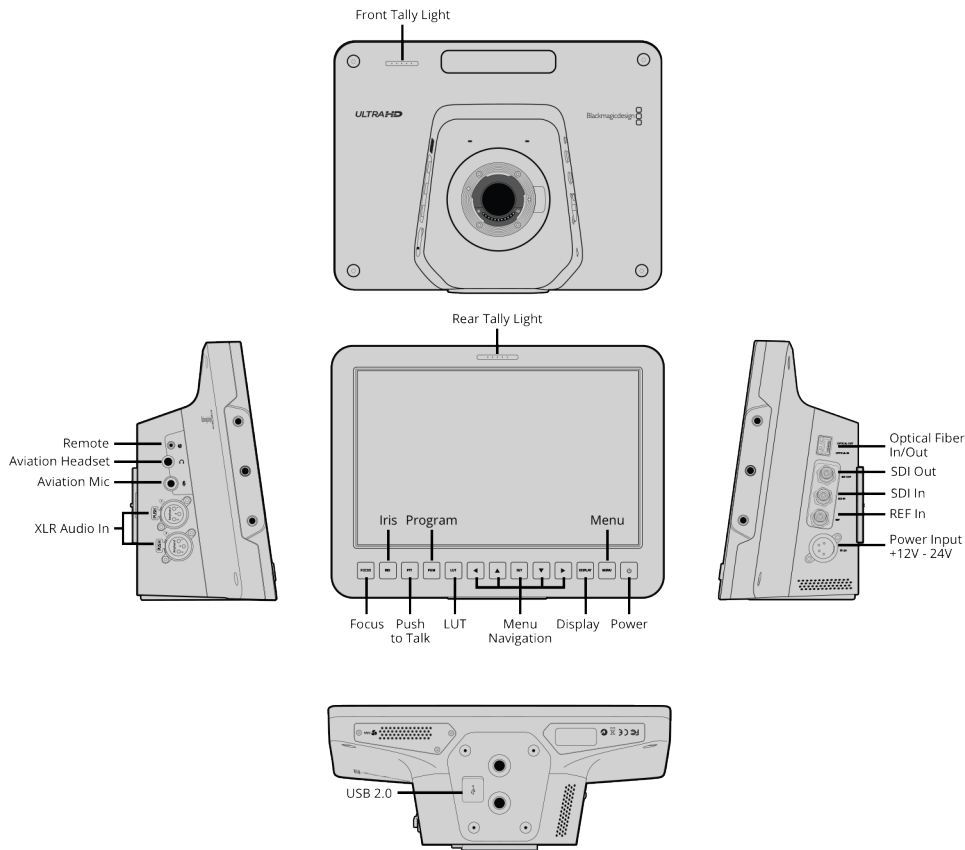
2 channels in 12G-SDI 48Khz and 24 bit. 2 channels for talkback on channel 15-16.

Remote Control

1 x 2.5mm LANC for Iris Control and Focus. SDI CCU control from ATEM.

Computer Interface

USB 2.0 Mini-B port for software updates.



Standards

SDI Compliance

SMPTE 292M, SMPTE 424M Level B, Draft SMPTE 2081-1, Draft SMPTE 2082-1

SDI Audio Sampling

48 kHz and 24-bit

Software

Software Included

Blackmagic Camera Setup software

Operating Systems



Mac OS X 10.10 Yosemite, Mac OS X 10.11 El Capitan or later.



Windows 8.1 or Windows 10.

Power Requirements

External Power Input

1 x 4-pin XLR port for external power or battery use.

Power

Integrated Lithium Ion Polymer rechargeable battery. 11V-24V DC port for external battery power or use included 12V AC adapter.

Built-in Battery Life

Approximately 3 hours

Battery Charge Time

Approximately 4 hours

Physical Specifications



Environmental Specifications

Operating Temperature
0° to 40° C (32° to 104° F)

Storage Temperature
-20° to 45° C (-4° to 113° F)

Relative Humidity
0% to 90% non-condensing

What's Included

Blackmagic Studio Camera 4K
Sun Shield and attachment screws
Turret Dust Cap
12V AC Adapter

Warranty

Product Warranty
12 Month Limited Manufacturer's Warranty.

All items on this website are copyright Blackmagic Design Pty. Ltd. 2016, all rights reserved.
All trademarks are property of their respective owners. MSRP excludes sales taxes/duties and shipping costs.

Blackmagic Design Authorized Reseller