

# dedolight®

PRECISION LIGHTING INSTRUMENTS



## NEWS 2016

ENGLISH 04/2016



My name is Dedo.

I am a cameraman/Director of Photography.

I've shot documentaries, commercials, art films, features and theatre plays in over forty countries. I am also a high-speed specialist (film and video). Today, dedolight is widely known and acclaimed for precision lighting instruments.

I am very proud of my unique team at dedolight.

No manufacturer in our field has as many experienced, recognized and practicing Directors of Photography in the Team as we do.

We listen to and enjoy the dialogue with some of the best known cinematographers shooting multi-million dollar blockbusters as well as the intensely creative small crews who shoot under street fighter conditions. Many ideas and constructive criticism comes from these colleagues.

Our research and development is done "in-house" and I am very proud of our exceptional team of optical engineers, electronic geniuses, computer gurus and seasoned high class mechanical engineers. We collaborate with several light source manufacturers and continue to develop better, more efficient and precise light sources. We combine leading edge optical design (over 30 patents) with the most modern fixture and ballast concepts. We remain committed to create the best possible tools and control devices in precision lighting for the professional.

We are proud to introduce the latest marriage of prime class LED technology with our patented double aspherical dedolight optics and LED panel soft lights.

dedolight provides the highest optical precision and unique tools for light control and light shaping. These are available in an eco-friendly halogen version, new tungsten metal halide – interchangeable with our daylight metal halide sources and several versions of the best LED technologies in the dedocolor® quality! We value the extraordinary team of dedolight agents around the world. Many share common roots in the practicing profession and an enthusiasm and dedication to the art of lighting.

# LED BREAKTHROUGH

Digital cameras see LED light differently than tungsten/daylight sources meaning they interpret light sources differently. Color temperature meters are unable to see the full spectrum and therefore do not work for the evaluation of LED light.

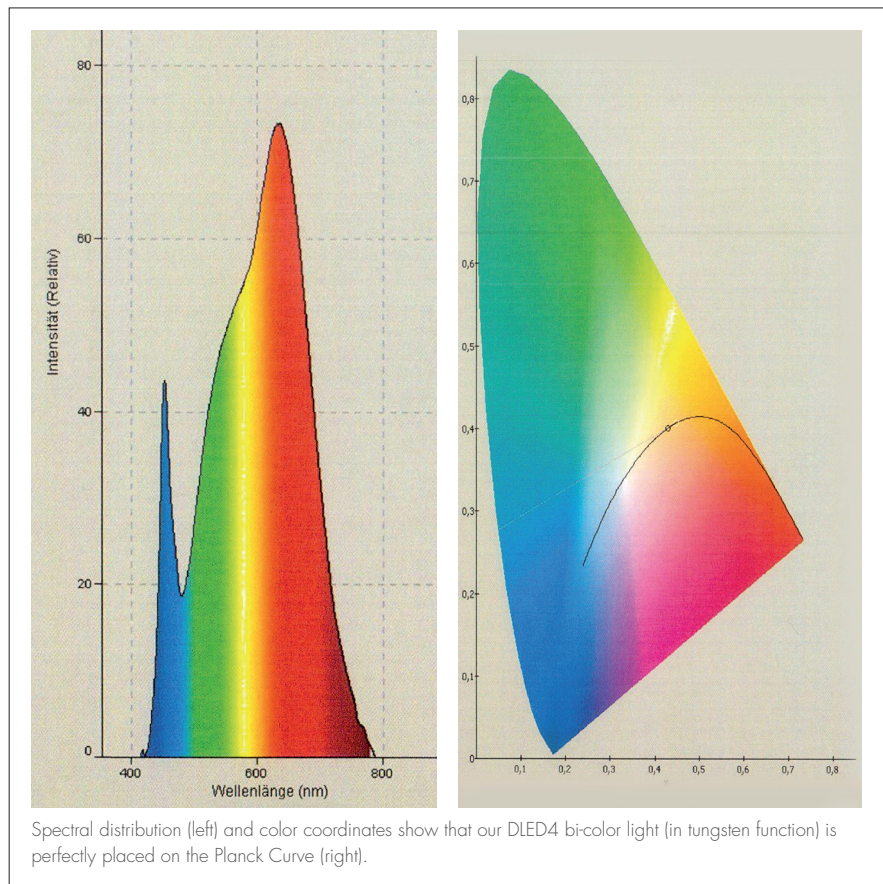
Samples are only taken in three or four places of the spectrum. Spectrum analysis and CRI values offer a serious step for evaluation, but usually do not include colors such as R9 (red) and R13 (skin tone) - both extremely critical values.

Even expanded CRI evaluations do not offer reliable criteria. TLCI (Television Lighting Consistency Index), the new standard of the European Broadcasting Union (EBU), offers a better and more reliable base for the way studio cameras see LED light.

These studio cameras usually work with three CCD sensors. Thus, the results are not really indicative of the way different CMOS cameras see LED color.

For a number of years we have been conducting tests with various digital cameras and different skin tones. In these tests we light one side of the Face with a reference light and the other with LED light. Our LED lights show a perfect match between reference light and our LED lights as seen by the vast majority of CMOS cameras.

Dedocolor now offers values and properties, bringing us on target even under most critical test conditions.



CRI Ra (1-8)	97	TLCI 97
CRI Ra' (1-14)	96	
CCT	3112K	

R1	R2	R3	R4	R5	R6	R7	R8
98	98	95	97	96	95	98	96
R9	R10	R11	R12	R13	R14		R15
89	92	96	95	98	96		89

Measurements with our 40W DLED4 bicolor light in tungsten function  
Expanded CRI evaluation: 15 colors

## NEW:

### FELLONI2

Our Felloni multi-LED panel lights, are now available in version Felloni2 with:

- Noticeably higher light output
- Same power consumption
- Additional light efficiency

### dedocolor FELLONI

The dedocolor Felloni is a multi-LED panel light with the highest possible color quality, CRI approx. 95+. These LED panels offer the same light output and efficiency as the traditional Felloni, but with optimum color quality.

Focusing LED lights present special challenges regarding color distribution.

Specially developed LED light sources in combination with our patented double-aspheric technology (recognized by the Oscar committee for Technical Achievement) have allowed us to provide five different dedolight DLED focusing LED light fixtures.

All deliver perfect light distribution, the widest focusing range in the industry and allow the use of our unique line of light shaping accessories. Available in daylight, tungsten and bicolor. Bicolor is variable from 2700K to 6500K

All of our focusing DLED lights from 8 W to 90 W offer:

- Passive cooling
- No fan
- No noise

DLED12 (250W) works with a very quiet active cooling system.

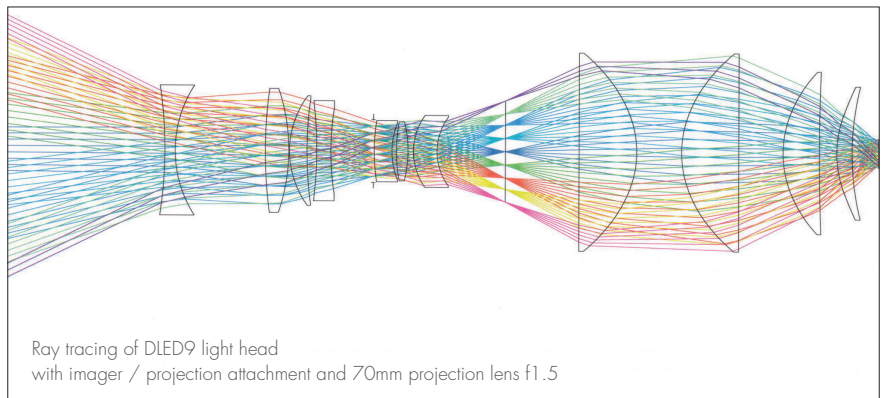
### Health hazards

In the past, metal halide lamps have been known to cause skin cancer and cataracts due to the short wave-length ultraviolet rays.

We have always offered the lowest and safest UV value in the industry.

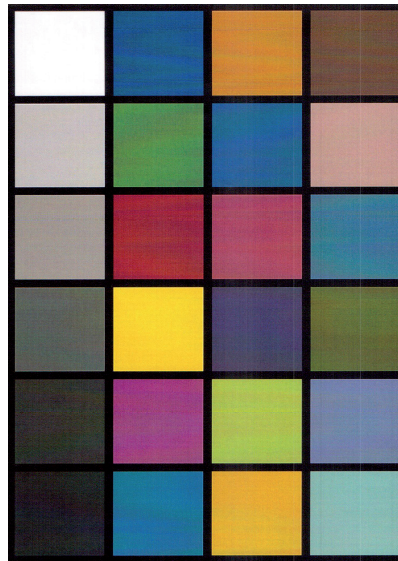
LED light sources can create a health hazard by their unavoidable blue peak.

Our products comply with the requirements of biohazard standard EN6247 in the category of "exempt" (without any health hazard criteria).



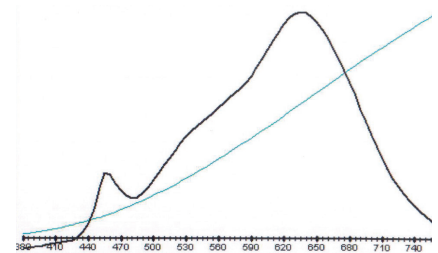
Ray tracing of DLED9 light head with imager / projection attachment and 70mm projection lens f1.5

DLED-BI measured in the lowest tungsten color temperature 2629K. TLCI 97



### Television Lighting Consistency Index – 2012

Sector	Lightness	Chroma	Hue
R	0	0	0
R/Y	0	0	0
Y	0	0	0
Y/G	0	0	0
G	0	0	0
G/C	0	0	0
C	0	0	0
C/B	0	0	-
B	0	-	0
B/M	0	0	+
M	0	+	+
M/R	0	0	0

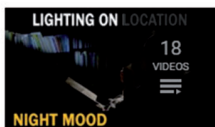


The spectral curve shows that we have managed to avoid the deep valley next to the blue peak. This offers optimum security regarding photo-biological hazard. The table above also shows that this light does not need any correction in post-production.

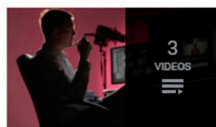


<http://www.youtube.com/user/dedoweigertfilm>

- EASY LIGHTING FOR THE SMALL TEAM - tutorial videos
- LEARN LIGHTING FROM THE MASTERS - tutorial videos
- DEDOLIGHT LIGHTING INSTRUMENTS & TOOLS - videos about our unique products
- DEDOLIGHT IN PHOTOGRAPHY - photo shootings and interviews made with dedolight
- INTERVIEWS / BEHIND THE SCENES - learn more about how professionals use our products and a lot more...



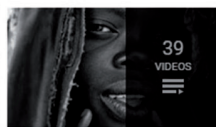
Easy lighting for the small team



Learn lighting from the Masters



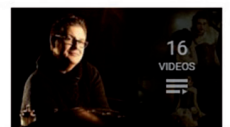
dedolight: Lighting instruments & tools



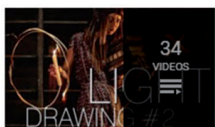
dedolight in photography



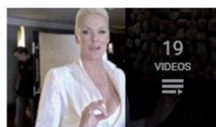
dedolight: Instructional videos



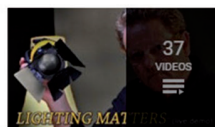
Q&A - interviews with cinematographers & ...



International dedolight Competition 2015 - Results ...



Behind the scenes



Trade fair interviews & dedolight workshops around the world



Collection of international dedolight videos



Sammlung von deutschsprachigen dedolights ...



Dedo about filmmaking

# COMPLETE RANGE OF FOCUSING DEDOLIGHT LED FIXTURES

## 5 DIFFERENT SIZES:

All share the following characteristics:

- These LED light sources were specially developed for dedolight and represent the latest state of technology. They offer the new and highest dedocolor quality.
- Patented dedolight aspherical optics
- The astounding efficiency is an enormous advantage in mobile use which makes battery operation possible up to the DLED9 (90W light head).
- Unprecedented focus range (wider/narrower)
- The clean-beam concept, only offered by dedolight. The precision controlled light beam offers perfectly smooth light distribution within the beam, but without any stray light.
- The DLED9 and DLED12 lights were originally conceived for studio operation, but the DLED9 lights are also ideal for mobile teams.
- With the exception of the DLED12, all focusing DLED lights of this series work very effectively with passive cooling (no fan – no noise).
- Our new LED TURBO series works with active cooling in an extremely low noise variation. These lights offer a drastically enhanced light output. For more information see the DLED TURBO series catalog.
- Complete light-shaping control:
  - Precise barn door shadows.
  - Scrim, double, full, half and graduated.
  - Graduated grey glass filters (only from dedolight)
  - Non-spherical, wide-angle attachments with rotating barn doors (dedolight patent)
  - dedolight imager/projection attachment
  - Razor-sharp light and shadow forms
  - Smooth light and shadow edges with DPEYE filters (soft edge, no diffusion)
  - Gobo projection and slide projection
  - Projection of background effect filters



With the exception of the 8 W Ledzilla and the DLED2 (20 W), all of these lights are available for mobile use as well as studio versions.

The studio versions are offered as an option with pole operation and/or DMX control.

The DLED12 has DMX control as standard.

For mobile use the great advantage is offered by our bicolor lights, allowing continuous change of color temperature beginning below standard tungsten at 2700K, up to a color temperature above standard daylight (6500K). Our on-board Ledzilla light is also often used as off-board light for complete scenic lighting. Ledzilla and our larger DLED lights are not only offered in tungsten, daylight and bicolor variations, but also in several infrared and ultra-violet versions.

LED



## YOUR DREAM - OUR FOCUSING

Complete Range in 5 different sizes

- \* Patented aspherics<sup>2</sup> dedolight Optics
- \* Unprecedented Focusing
- \* Astounding Light Efficiency



COMPLETE RANGE OF

# LED LIGHTS



## LED LIGHTS

and systems for on-board, off-board, mobile, studio & special effects.

- \* Perfectly Even Light Distribution
- \* Perfect **dedocolor**<sup>®</sup> (Tungsten, Daylight, Bicolor)
- \* Complete Range of Light Shaping Control Tools



# LED PANEL LIGHTS

# DLED2 LED SMALL, POWERFUL, VERSATILE

Dedolight Patented Aspheric Optics in combination with specially developed LED light sources in daylight and bicolor variations. For use as on-board or off-board light, multi-functional and versatile as tiny interview and documentary lighting, for accents and special effects. Especially useful and versatile in combination with FELLONI bicolor multi-LED panels.



## DLED2-D

Monocolor. Continuous dimming with no color shift, with integrated electronics and 16 mm (5/8") stand fitting.



## DLED2-BI

Same as image (A), but in bicolor version. Continuous dimming with no color shift. Color temperature range 2700K - 6500K. One of the knobs serves for dimming, the other one for continuous change of color temperature.

## Mounting



Hot shoe mount can be exchanged by the user to stand fitting and vice versa, as shown above.



## DLED2HSM - D / - BI

Similar to A, but with hot shoe mount for camera mounting

*Note: This version can be mounted directly on the camera (hot shoe) or with adapter DLBSA-JSF used on stands with 5/8" stud.*

## DLBSA-JSF

16 mm (5/8") receptacle to hot shoe mount adapter.



## Battery Power Supplies



## DLED2-BS

Battery shoe for DLED2-D/-BI. Accepts NP-F950/960/970 batteries (7.2V/47Wh)



## DLED2-BSU

Battery shoe for DLED2-D/-BI. Accepts Sony BPU-60 battery (14.4V/56Wh)



## DLED2-BP

Battery shoe for DLED2-D/-BI. Accepts CGA batteries (7.2V)

## Light Control



## DBDS8

Standard 8-leaf barn door for DLED2 light head.

## DBDS

Optional 8-leaf barn door with individually rotating barn door leaves



## DLED2-SBX and DLSR60

soft box and speedring



## DP1S

Imager/projection attachment for Gobos and background effect filters. Complete with 60mm lens and Gobo holder.



## DP2S

Imager/projection attachment with adjustable blades and 60mm lens.



Focusing 20W LED daylight and bicolor light head with yoke and 16 mm (5/8") receptacle or with yoke and shoe mount. Separate DT2-BAT, DT2-BI-BAT, or DT2-BI-BAT-DMX electronics needed.



**DLED2Y-D / -BI**

separate light head for use with ballasts (ballasts shown below)



**DLED2YHSM-D/-BI**

with hot shoe mount

### Cable to light head

three sizes of connecting (yoke versions)



**A DLED2POW0.55**

Connecting cable to light head, 2' (55 cm) long

**B DLED2POW1.4**

Connecting cable to light head, 5' (140 cm) long

**C DLED2POW3**

Connecting cable to light head, 10' (300 cm) long

### DC Ballasts

**DT2-BAT**



Dimmable monochrome ballast for DLED2Y-D/T and DLED2YHSM-D/T. Dimming with no color change. Input: 6-18V DC

**DT2-BI-BAT**



Dimmable bicolor ballast for DLED2Y-BI and DLED2YHSM-BI. Dimming and continuous change of color temperature from 2700 to 6500K. Input: 6-18V DC

**DT2-BI-BAT-DMX**



DC electronics for DLED2Y-BI and DLED2YHSM-BI with DMX control for continuous change of color temperature from daylight to tungsten.

### Input Cables

for DC Ballasts

**DLOBML-XLR**



Coiled cable 25-51" (65 cm - 1.30 m) with 4-pin XLR connector

**DLOBML-CAR**



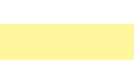
6 ft. (1.8 m) with cigarette light connector

**DLOBML-AB-S**



9" (22 cm) with Anton / Bauer connector

**DLOBML-AB-L**



22" (55 cm) with Anton/Bauer connector

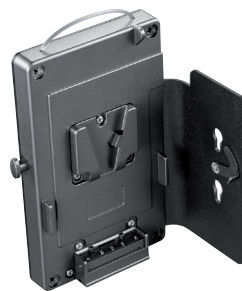
**DLPS12-30**

Mains power unit with connector set EU, USA, AUS, UK  
If needed, the power feed between ballast and AC adapter DLPS12-30 can be elongated by extension cable DLPS12-EXT (length 8' / 250 cm)



**LiTH 95SI battery, 95 Wh**

- V-lock mount
- 14.8V 95Wh
- Max. discharge rate up to 10A
- Input voltage for charger 90V - 240V (Including charge cable. Specify power plug needed for your country.)
- Integrated charger
- Compatible with all V-mount plates
- 5-pin connector allows communication for camera and all other V-lock equipment



**DLBCA2-V**

V-Mount plate with belt loop, D-tap output. and holding plate for DT2(-BI)-BAT power supply.

Note:

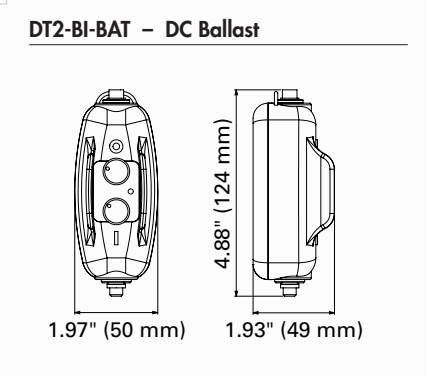
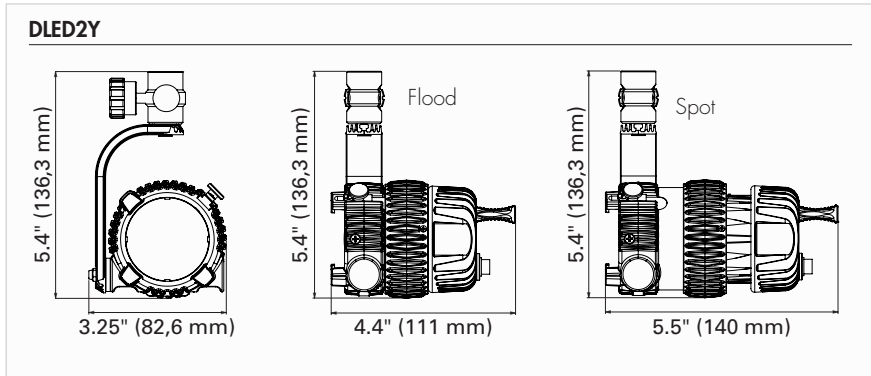
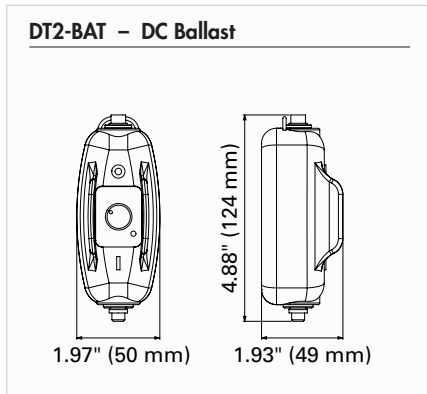
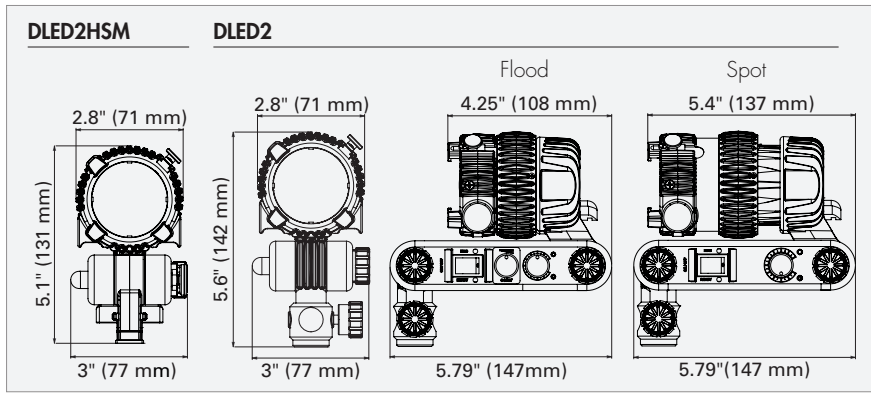
LiTH 95Wh battery with integrated charger and V-Mount adapter can be used on a belt and also hung on the knob of a stand (loop). This device also serves to feed DLED4 in all its various versions (see following pages).



**DLBCA2-NPF**

Sony NPF plate with belt loop and holding plate for DT2(-BI)-BAT power supply.

# DLED2 TECHNICAL DATA



FOCUSING LED LIGHT HEAD: DLED2-D, DLED2-BI	
Focus Range (Intensity Range)	50°-5° (1:7)
Focus Control	3/4 turn on focus ring
Power	25W, 6-18VDC
Mounting	5/8" (16 mm) receptacle and 1 1/8" (28 mm) stud OR: optional with shoe mounting (e.g.: DLED2HSM-BI) OR: with yoke and separate power supply (e.g.: DLED2Y-BI)
Operating Position	Any, except electronics directly over light head
Tilt Control	Adjustable friction
Accessory Holder*	Ø 2.3" (58 mm)
Safety	Protection Class III, SELV, IP40
Cooling	Passive cooling (no fan)
UV	No UV radiation
Weight	1.8 lb (800g)
Size	W: 3.1" (79 mm) L (flood): 5.87" (149 mm) L (spot): 5.87" (149 mm) H: 5.6" (142 mm)
* for mounting the unique range of DLED2 front-end accessories	

## DLED2-D Focusing LED Light Head. Daylight approx. 5600K

Distance	Meter	1	2	3	4	5
	Feet	3'	6'	9'	12'	15'
Flood	Lux	810	203	90	50	
	Foot Candle	75	19	8.3	4.6	
Medium	Lux	1,800	450	200	113	72
	Foot Candle	167	42	19	11	6.7
Spot	Lux	5,250	1,312	583	328	210
	Foot Candle	487	122	54	30	20

## DLED2-BI Focusing LED Light Head. Bicolor measured at 5600K – daylight

Color temperature continuously adjustable from 2700 – 6500K

Distance	Meter	1	2	3	4	5
	Feet	3'	6'	9'	12'	15'
Flood	Lux	820	205	92	51	
	Foot Candle	76	19	8.6	4.8	
Medium	Lux	1,820	455	202	114	73
	Foot Candle	169	42	19	11	6.8
Spot	Lux	3,350	838	372	209	134
	Foot Candle	311	78	35	19	12

Bicolor in tungsten function ~ 25% lower output

# DLED4 LED ASPHERICS<sup>2</sup>® OPTICS

## A SUCCESS STORY GROWING FURTHER

- Perfect color in daylight and tungsten versions
- Expanded bicolor range:  
A great gift for mobile work, tuning from 2700K all the way to above 6500K. Thus adapting to most ambient light situations without any filters. Easy fine-tuning for slightly warmer fill light or somewhat colder back light – separating the background illumination by subtle color choices.
- Dimming:  
Proprietary dimming algorithms for smooth dimming, even at the low end  
  
16-bit dimming for special studio demands as option
- AC and DC ballasts
- Battery operation:  
High output – best efficiency – low power demands allow mobile teams to operate for hours, totally independent from AC power supplies. Belt clip holds battery (V-lock or AB), as well as the battery ballast and comes with a stand mounting loop.
- Studio versions also available as pole-operated and with DMX control
- Unique light-/shadow-shaping accessories – most of these are especially designed to cooperate with our highly developed optical system

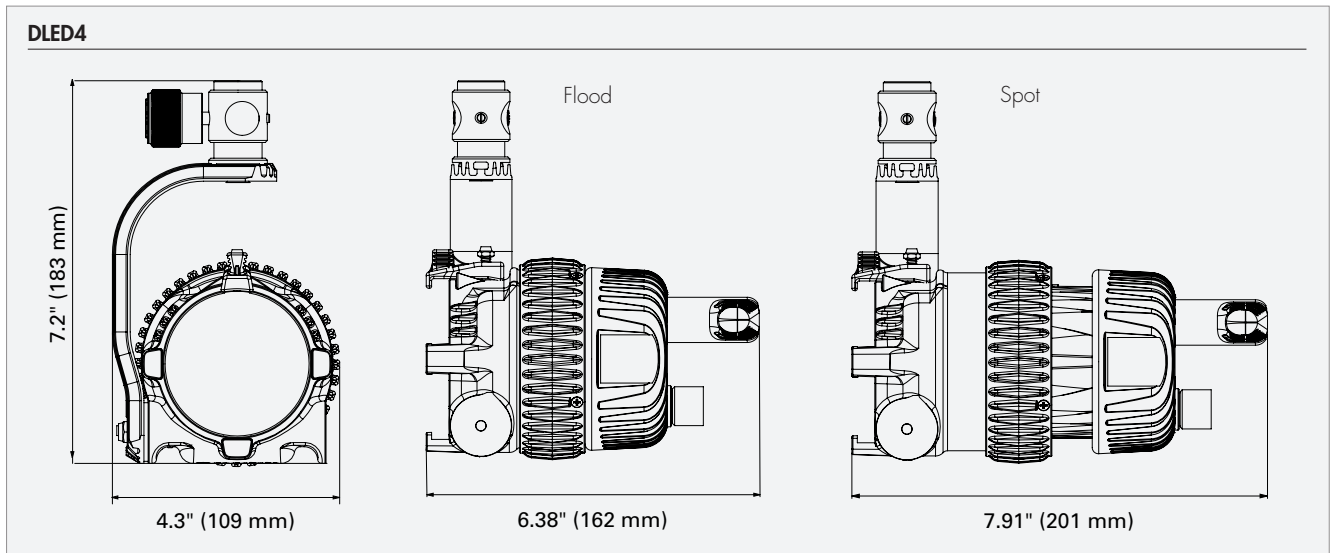
Tools to modify the light and color character. Such tools are available for all sizes of our lights.

Our experienced and highly qualified R&D team is the best of all manufacturers of professional lighting equipment. With this extraordinary team we work continuously to improve color, light output, light character and the light-shaping accessories.

A completely new, parallel product range with active cooling is shown in a separate brochure: **DLED TURBO SERIES**.



# DLED4 TECHNICAL DATA



**FOCUSING LED LIGHT HEAD:  
DLED4-D, DLED4-T, DLED4-BI**

Focus Range (Intensity Range)	60-4° (1:20) with optional aspheric wide-angle attachment: 85-54°
Focus Control	One complete turn on focus ring
Power	40W
Mounting	5/8" (16 mm) receptacle and 1 1/8" (28 mm) stud
Operating Position	Any
Tilt Control	Permanent friction
Accessory Holder	3" (76 mm) diameter
Safety	Protection Class III, SELV, IP40
Cooling	Passive (no fan)
UV	No UV radiation
Weight	2.9lb (1,300g)
Size	W: 4.29" (109 mm) L (flood): 6.37" (162 mm) L (spot): 8.87" (200 mm) H: 3.94" (100 mm)

**DLED4-D Focusing LED Light Head. Daylight approx. 5600K**

Distance	Meter	1	2	3	4	5
	Feet	3'	6'	9'	12'	15'
Flood	Lux	1,500	375	167	94	60
	Foot Candle	139	35	15	9	5.6
Medium	Lux	2,800	700	310	175	112
	Foot Candle	260	65	29	16	10.4
Spot	Lux	14,500	3,625	1,611	906	580
	Foot Candle	1348	337	150	84	54

**DLED4-T Focusing LED Light Head. Tungsten approx. 3200K**

Distance	Meter	1	2	3	4	5
	Feet	3'	6'	9'	12'	15'
Flood	Lux	1,360	340	151	85	54
	Foot Candle	126	32	14	8	5
Medium	Lux	2,250	563	250	141	90
	Foot Candle	209	53	23	13	8.4
Spot	Lux	12,200	3,050	1,356	763	488
	Foot Candle	1,134	284	126	71	45

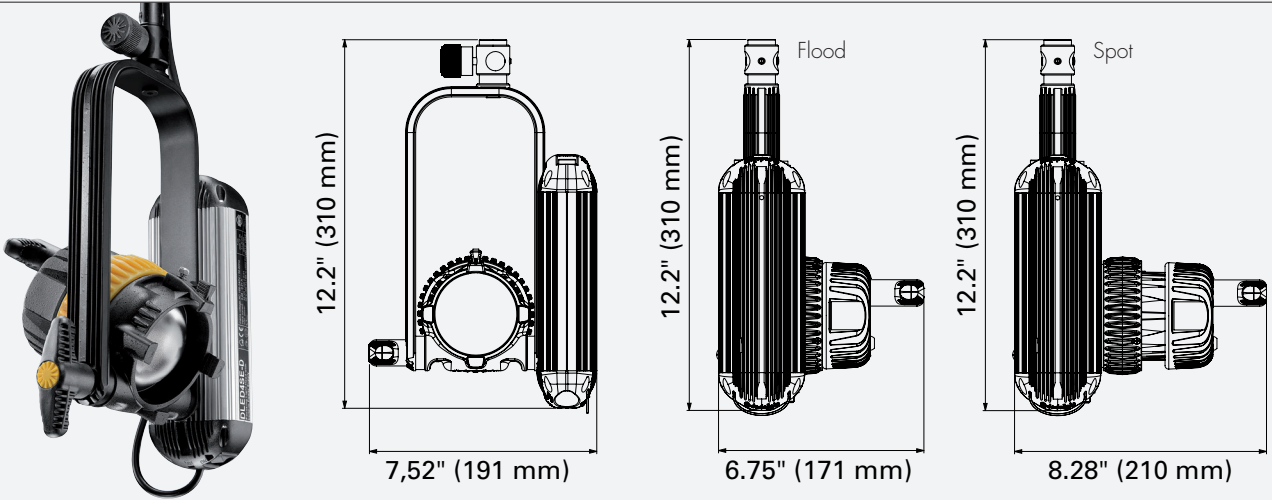
**DLED4-BI Focusing LED Light Head. Bicolor measured at 5600K – daylight**

Color temperature continuously adjustable from 2700 – 6500K

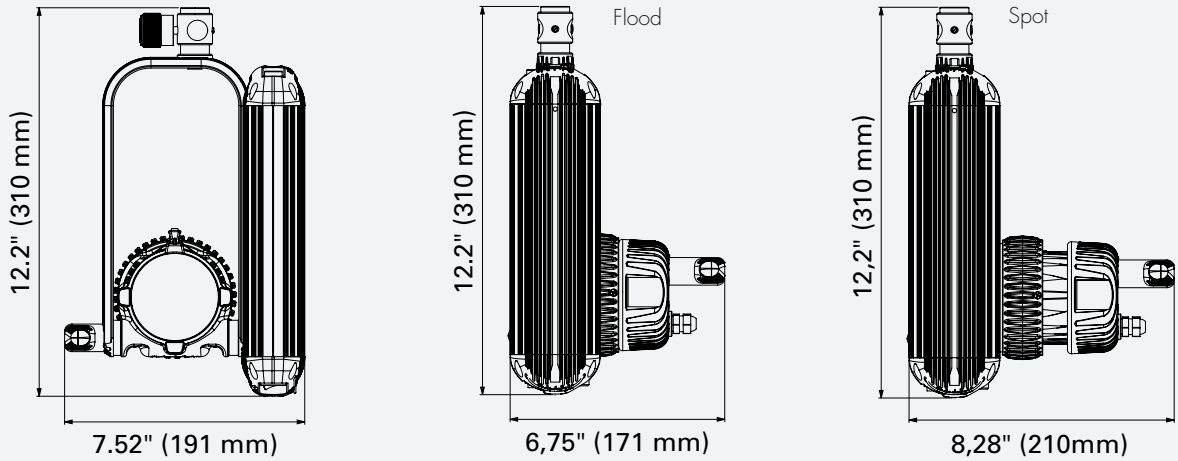
Distance	Meter	1	2	3	4	5
	Feet	3'	6'	9'	12'	15'
Flood	Lux	1,580	395	176	99	63
	Foot Candle	147	37	16	9	6
Medium	Lux	2,850	713	317	178	114
	Foot Candle	265	66	30	17	11
Spot	Lux	12,100	3,025	1,344	756	484
	Foot Candle	1,125	281	125	70	45

Bicolor in tungsten function ~ 15 % lower output

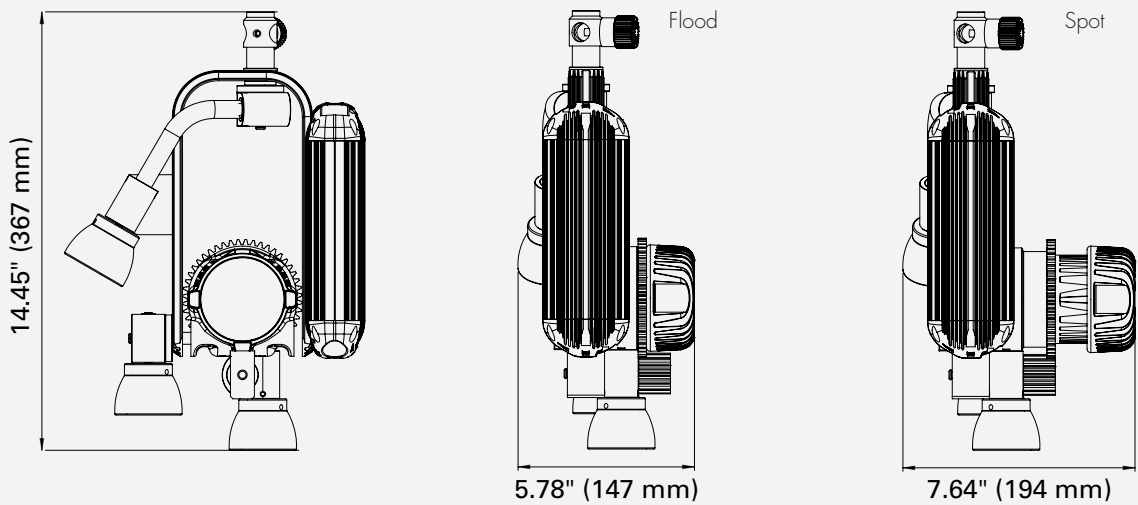
DLED4SE-D / DLED4SE-T



DLED4SE-BI / DLED4SE-D-DMX / DLED4SE-T-DMX / DLED4-BI-DMX



DLED4SE-D-PO / DLEDSE-T-PO (pole operated)



# POWER OPTIONS FOR DLED4



## DAYLIGHT / TUNGSTEN

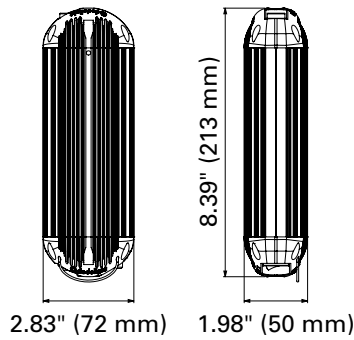
DT4 AC power supply for DLED4 tungsten and daylight light heads.

Allows worldwide use from 90 - 264 V AC 50/60 cycle plus continuous dimming.

Add suffix "DMX" for above ballasts with DMX control DT4-DMX.

The DC power supply DT4-BAT-XLR/DT4-BAT-AB (DTAP) is much smaller and allows operation from any 10.2-18V source.

### DT4



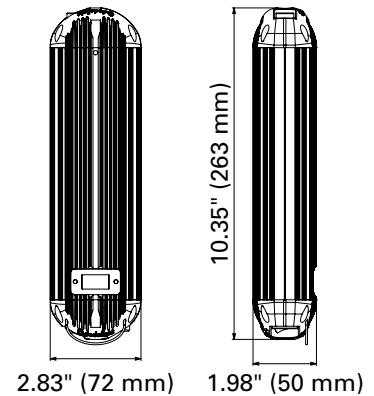
## BICOLOR

The DT4-BI, same as DT4 but with additional control for continuous change of color temperature from daylight to tungsten. Now with digital Kelvin value display.

All bicolor ballasts for mobile use, which are used separately from the light head, work with a display, showing variations of color temperatures.

(example: C32 = color 3200 Kelvin and dimming status d50 = 50% intensity)

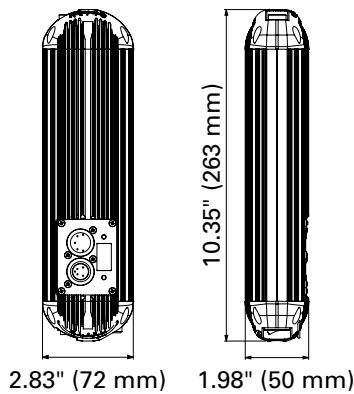
### DT4-BI



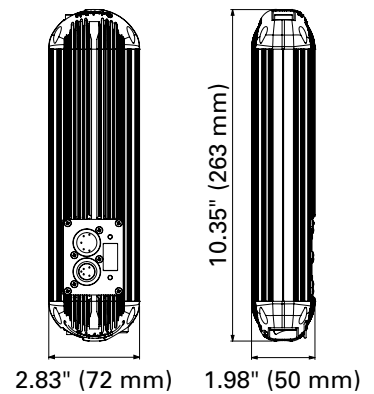
### POWER SUPPLY FOR AC OPERATION: DT4, DT4-BI

Input Voltage	90 - 264 V AC * 50 VA / 0.5-0.21 A 47 W
Output Voltage	40V
Controls	ON/OFF switch, dimming knob
Dimming	Continuously from 100-0%
Safety	Protection Class I, IP40
Cable length (plug - > power supply)	Mains cable 8.2' / 2.5 m
Cable length (plug - > light head)	Cable to light head 4.6' / 1.4 m
Mounting	Cable loop
Weight	2.2lb / 1,000g
Size	L: 8.3" (210 mm) W: 2.8" (72 mm) H: 2" (50 mm)

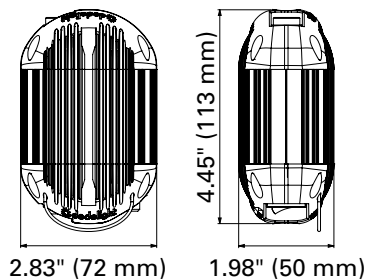
### DT4-DMX



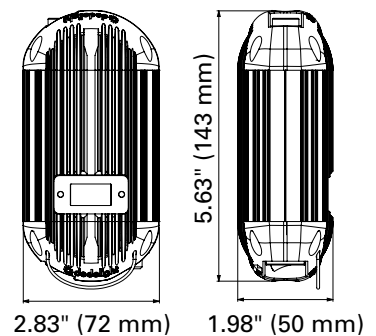
### DT4-BI-DMX



### DT4-BAT-AB / DT4-BAT-XLR



### DT4-BI-BAT-AB / DT4-BI-BAT-XLR



# NEW: DLED4/FELLONI KITS

## DLED4 1 LIGHT KIT – WITH SOFT CASE

<b>SLED1-BI-B</b> 1 Light Kit	<b>Bicolor - Basic</b> DC, battery operation only
1 DLED4-BI	dedolight focusing LED light head, bicolor
1 DT4-BI-BAT-AB	Battery power supply for DLED4 bicolor light heads (D-TAP)
1 DPLS	Light shield ring
1 DBD8	Standard barn door (eight leaves)
1 DLHAND	dedolight handle
1 LiTH 95 SI	Batteries with internal charger and mains cable
1 DLBCA2-V	Belt adapter for V-Mount batteries with holding plate for DT4(-BI)-BAT-AB power supplies. D-TAP power out socket.
1 DSCM	Soft case, mono
Size:	28 x 17 x 25 cm (11 x 6.7 x 10")
Weight:	4.8 kg (10.6 lbs)

<b>SLED1-D-B</b> 1 Light Kit	<b>Daylight - Basic</b> DC, battery operation only
<b>Same as SLED1-BI-B, but as 40 W daylight system with DLED4-D and DT4-BAT-AB power supply instead of bicolor units.</b>	



## DLED4 1 LIGHT KIT – WITH SOFT CASE

<b>SLED1-BI-M</b> 1 Light Kit	<b>Bicolor - Master</b> DC, battery operation only
(items in <b>bold</b> are in addition to <b>BASIC</b> kit)	
1 DLED4-BI	dedolight focusing LED light head, bicolor
1 DT4-BI-BAT-AB	Battery power supply for DLED4 bicolor light heads (D-TAP)
1 DPLS	Light shield ring
1 DBD8	Standard barn door (eight leaves)
1 DLHAND	dedolight handle
<b>1 DLSR70</b>	<b>Speed ring for Classic Series and DLED4 light heads</b>
<b>1 DSBSXS</b>	<b>dedoflex mini soft box - 30x30x23cm (12x12x9")</b>
<b>1 DLGRIDXS</b>	<b>Grid (40°), fits mini soft box</b>
1 LiTH 95 SI	Batteries with internal charger and mains cable
1 DLBCA2-V	Belt adapter for V-Mount batteries with holding plate for DT4(-BI)-BAT-AB power supplies. D-TAP power out socket
<b>1 DSCM2</b>	<b>Soft case, mono</b>
Size:	35 x 21 x 28 cm (13.8 x 8.3 x 11")
Weight:	5.2 kg (11.5 lbs)

<b>SLED1-D-M</b> 1 Light Kit	<b>Daylight - Master</b> DC, battery operation only
<b>Same as SLED1-BI-M, but as 40 W daylight system with DLED4-D and DT4-BAT-AB power supply instead of bicolor units.</b>	



# DLED4/FELLONI (2x1) 3 LIGHT KIT – WITH BACK PACK

## ■ BLED2x1-BI-BAT 3 Light Kit

**Bicolor - Battery** (2x DLED4/1x Felloni)  
DC, battery operation only

- 2 DLED4-BI dedolight focusing LED light head, bicolor
- 2 DT4-BI-BAT-AB Battery power supply for DLED4 bicolor light heads (D-TAP) with Kelvin display
- 2 DPLS Light shield ring
- 2 DBD8 Standard barn door (eight leaves)
- 1 DP1.1 Imager projection attachment
- 1 DPGH Steel gobo holder (size ,M')
- 1 DPGSET Gobo set (six popular steel gobos, size ,M')
- 2 DFH Gel filter holder
- 1 DGW Gel filter set, warm tone (fits DFH filter holder)
- 1 DGMD Gel filter set, mixed diffusion (fits DFH filter holder)
- 1 DGCOL Gel filter set, color effect (fits DFH filter holder)
- 1 TP-DCOL-BI50HO Felloni dedocolor LED panel bicolor high output 50°
- 1 TP-LONI-SBX42 Felloni soft box with 2 barn doors
- 1 TP-LONI-SBXGRID40 Felloni textile grid for soft box, 40°
- 3 LiTH 95 SI Batteries with internal charger and mains cable
- 2 DLBCA2-V Belt adapter for V-Mount batteries with holding plate for DT4(BI)-BAT-AB power supplies. D-TAP power out socket.
- 3 DST dedolight stands
- 1 DH2 Wall holder
- 1 CLAMP1 dedolight clamp
- 1 DBPSLED Backpack, small, with dividers for Felloni panel

Size: 60 x 50 x 30 cm ( 24 x 20 x 12")  
Weight: 16.4 kg (36.2 lbs)

## ■ BLED2x1-D-BAT 3 Light Kit

**Daylight - Battery** (2x DLED4/1x Felloni)  
DC, battery operation only

**Same as BLED2x1-BI-BAT, but as 40 W daylight system with DLED4-D, DT4-BAT-AB power supplies and Felloni daylight panel instead of bicolor units.**



## ■ BLED2x1-BI-B 3 Light Kit

**Bicolor - Basic** (2x DLED4/1x Felloni)  
AC, mains operation only

- 2 DLED4-BI dedolight focusing LED light head, bicolor
- 2 DT4-BI Power supply for DLED4 bicolor light heads
- 2 DPLS light shield ring
- 2 DBD8 Standard barn door (eight leaves)
- 1 TP-DCOL-BI50HO Felloni dedocolor LED panel bicolor high output 50°
- 1 TP-LONI-SBX42 Felloni soft box with 2 barn doors
- 1 TP-LONI-SBXGRID40 Felloni textile grid for soft box, 40°
- 3 DST dedolight stands
- 1 DBPSLED Backpack, small, with dividers for Felloni panel

Size: 60 x 50 x 30 cm ( 24 x 20 x 12")  
Weight: 20.0 kg (44.1 lbs)

## ■ BLED2x1-D-B 3 Light Kit

**Daylight - Basic** (2x DLED4/1x Felloni)  
AC, mains operation only

**Same as BLED2x1-BI-B, but as 40 W daylight system with DLED4-D, DT4-BAT-AB power supplies and Felloni daylight panel instead of bicolor units.**





**BLED2x1-BI-S**      **Bicolor - Standard** (2x DLED4/1x Felloni)  
3 Light Kit      AC, mains operation only

(items in **bold** are in addition to **BASIC** kit)

- 2 DLED4-BI      dedolight focusing LED light head, bicolor
- 2 DT4-BI      Power supply for DLED4 bicolor light heads
- 2 DPLS      Light shield ring
- 2 DBD8      Standard barn door (eight leaves)
- 1 **DP1.1**      **Imager projection attachment**
- 1 **DPGH**      **Steel gobo holder (size ,M')**
- 1 **DPGSET**      **Gobo set (six popular steel gobos, size ,M')**
- 2 **DFH**      **Gel filter holder**
- 1 **DGW**      **Gel filter set, warm tone (fits DFH filter holder)**
- 1 **DGMD**      **Gel filter set, mixed diffusion (fits DFH filter holder)**
- 1 **DGCOL**      **Gel filter set, color effect (fits DFH filter holder)**
- 1 TP-DCOL-BI50HO      Felloni dedocolor LED panel bicolor high output 50°
- 1 TP-LONI-SBX42      Felloni soft box with 2 barn doors
- 1 TP-LONI-SBXGRID40      Felloni textile grid for soft box, 40°
- 3 DST      dedolight stands
- 1 **DH2**      **Wall holder**
- 1 **CLAMP1**      **dedolight clamp**
- 1 DBPSLED      Backpack, small, with dividers for Felloni panel

Size:      60 x 50 x 30 cm ( 24 x 20 x 12")  
Weight:      16.6 kg (36.6 lbs)

**BLED2x1-D-S**      **Daylight - Standard** (2x DLED4/1x Felloni)  
3 Light Kit      AC, mains operation only

**Same as BLED2x1-BI-S, but as 40 W daylight system with DLED4-D, DT4 power supplies and Felloni daylight panel instead of bicolor units.**



**BLED2x1-BI-M**      **Bicolor - Master** (2x DLED4/1x Felloni)  
3 Light Kit      AC/DC, mains and battery operation

(items in **bold** are in addition to **BASIC** kit)

- 2 DLED4-BI      dedolight focusing LED light head, bicolor
- 2 DT4-BI      Power supply for DLED4 bicolor light heads
- 2 **DT4-BI-BAT-AB**      **Battery power supply for DLED4 bicolor light heads (D-TAP) with Kelvin display**
- 2 DPLS      Light shield ring
- 2 DBD8      Standard barn door (eight leaves)
- 1 TP-DCOL-BI50HO      Felloni dedocolor LED panel bicolor high output 50°
- 1 TP-LONI-SBX42      Felloni soft box with 2 barn doors
- 1 TP-LONI-SBXGRID40      Felloni textile grid for soft box, 40°
- 3 DST      dedolight stands
- 1 DBPSLED      Backpack, small, with dividers for Felloni panel
- 3 **LiTH 95 SI**      **Batteries with internal charger and mains cable**
- 2 **DLBCA2-V**      **Belt adapter for V-Mount batteries with holding plate for DT4(-BI)-BAT-AB power supplies. D-TAP power out socket.**
- 1 DSCM      Mono soft case

Size DBPSLED:      60 x 50 x 30 cm ( 24 x 20 x 12")  
Weight:      20 kg (44.1 lbs)  
Size DSCM:      28 x 17 x 25 cm (11 x 6.7 x 10")  
Weight:      4.5 kg (10 lbs)

**BLED2x1-D-M**      **Daylight - Master** (2x DLED4/1x Felloni)  
3 Light Kit      AC/DC, mains and battery operation

**Same as BLED2x1-BI-M , but as 40 W daylight system with DLED4-D, DT4, DT4-BAT-AB power supplies and Felloni daylight panel instead of bicolor units.**



# DLED4/FELLONI (2x2) 4 LIGHT KIT - WITH SOFT CASE

<b>SLED2x2-BI-BAT</b> 4 Light Kit	<b>Bicolor - Battery</b> (2x DLED4/2x Felloni) DC, battery operation only
2 DLED4-BI	dedolight focusing LED light head, bicolor
2 DPLS	Light shield ring
2 DBD8	Standard barn door (eight leaves)
1 DP1.1	Imager projection attachment
1 DPGH	Steel gobo holder (size ,M')
1 DPGSET	Gobo set (six popular steel gobos, size ,M')
1 DPACP	Accessory Pouch
2 TP-DCOL-BI50HO	Felloni dedocolor LED panel bicolor high output 50°
2 TP-LONI-SBX42	Felloni soft box with 2 barn doors
2 TP-LONI-SBXGRID40	Felloni textile grid for soft box, 40°
1 DSCLED2x2	Soft case for 2x Felloni / 2x DLED4
1 SDST4	Stand kit with 4x DST and soft bag
2 DT4-BI-BAT-AB	Battery power supply for DLED4 bicolor light heads (D-TAP)
4 LiTH 95 SI	Batteries with internal charger and mains cable
2 DLBCA2V	Belt adapter for V-Mount batteries with holding plate for DT4(BI)-BAT-AB power supplies. D-TAP power out socket
1 DSCS	Soft case, small
Size DSCLED2x2:	56 x 48 x 32 cm (22" x 18.9" x 12.6")
Weight:	16.8 kg (37 lbs)
Size SDST4:	55 x 17 x 18 cm (21.7 x 6.7 x 7.1")
Weight:	4.2 kg (9.3 lbs)
Size DSCS:	53 x 24 x 23 (20.9" x 9.5" x 9.1")
Weight:	8.4 kg (18.5 lbs)

<b>SLED2x2-D-BAT</b> 4 Light Kit	<b>Daylight - Battery</b> (2x DLED4/2x Felloni) DC, battery operation only
-------------------------------------	---

**Same as SLED2x2-BI-BAT , but as 40 W daylight system with DLED4-D, DT4-BAT-AB power supplies and Felloni daylight panels instead of bicolor units.**



<b>SLED2x2-BI-B</b> 4 Light Kit	<b>Bicolor - Basic</b> (2x DLED4/2x Felloni) AC, mains operation only
2 DLED4-BI	dedolight focusing LED light head, bicolor
2 DT4-BI	Power supply for DLED4 bicolor light heads
2 DPLS	Light shield ring
2 DBD8	Standard barn door (eight leaves)
1 DP1.1	Imager projection attachment
1 DPGH	Steel gobo holder (size ,M')
1 DPGSET	Gobo set (six popular steel gobos, size ,M')
1 DPACP	Accessory Pouch
2 TP-DCOL-BI50HO	Felloni dedocolor LED panel bicolor high output 50°
2 TP-LONI-SBX42	Felloni soft box with 2 barn doors
2 TP-LONI-SBXGRID40	Felloni textile grid for soft box, 40°
1 DSCLED2x2	Soft case for 2x Felloni / 2x DLED4
1 SDST4	Stand kit with 4x DST and soft bag
Size DSCLED2x2:	56 x 48 x 32 cm (22" x 18.9" x 12.6")
Weight:	16.8 kg (37 lbs)
Size SDST4:	55 x 17 x 18 cm (21.7 x 6.7 x 7.1")
Weight:	4.2 kg (9.3 lbs)

<b>SLED2x2-D-B</b> 4 Light Kit	<b>Daylight - Basic</b> (2x DLED4/2x Felloni) AC, mains operation only
-----------------------------------	---

**Same as SLED2x2-BI-B, but as 40 W daylight system with DLED4-D, DT4 power supplies and Felloni daylight panels instead of bicolor units.**



**SLED2x2-BI-M**  
4 Light Kit

**Bicolor - Master** (2x DLED4/2x Felloni)  
AC/DC, mains and battery operation

(items in **bold** are in addition to **BASIC** kit)

- 2 DLED4-BI dedolight focusing LED light head, bicolor
- 2 DT4-BI Power supply for DLED4 bicolor light heads
- 2 DPLS Light shield ring
- 2 DBD8 Standard barn door (eight leaves)
- 1 DP1.1 Imager projection attachment
- 1 DPGH Steel gobo holder (size ,M')
- 1 DPGSET Gobo set (six popular steel gobos, size ,M')
- 1 DPACP Accessory Pouch
- 2 TP-DCOL-BI50HO Felloni dedecolor LED panel bicolor high output 50°
- 2 TP-LONI-SBX42 Felloni soft box with 2 barn doors
- 2 TP-LONI-SBXGRID40 Felloni textile grid for soft box, 40°
- 1 DSCLED2x2 Soft case for 2x Felloni / 2x DLED4

- 1 SDST4 Stand kit with 4x DST and soft bag

- 2 **DT4-BI-BAT-AB** **Battery power supply for DLED4 bicolor light heads (D-TAP)**

- 4 **LiTH 95 SI** **Batteries with internal charger and mains cable**

- 2 **DLBCA2-V** **Belt adapter for V-Mount batteries with holding plate for DT4(-BI)-BAT-AB power supplies. D-TAP power out socket.**

- 2 **DFH** **Gel filter holder**

- 1 **DGW** **Gel filter set, warm tone (fits DFH filter holder)**

- 1 **DGMD** **Gel filter set, mixed diffusion (fits DFH filter holder)**

- 1 **DGCOL** **Gel filter set, color effect (fits DFH filter holder)**

- 1 **DSCS** **Soft case, small**

**SLED2x2-D-M**  
4 Light Kit

**Daylight - Master** (2x DLED4/2x Felloni)  
AC/DC, mains and battery operation

**Same as SLED2x2-BI-M , but as 40 W daylight system with DLED4-D, DT4, DT4-BAT-AB power supplies and Felloni daylight panels instead of bicolor units.**

- Size DSCLED2x2: 56 x 48 x 32 cm (22" x 18.9" x 12.6")
- Weight: 16.8 kg (37 lbs)
- Size SDST4: 55 x 17 x 18 cm (21.7 x 6.7 x 7.1")
- Weight: 4.2 kg (9.3 lbs)
- Size DSCS: 53 x 24 x 23 (20.9" x 9.5" x 9.1")
- Weight: 8.4 kg (18.5 lbs)



# DLED4 3 LIGHT KIT – WITH SOFT CASE

<b>SLED3-BI-BAT</b> 3 Light Kit	<b>Bicolor - Battery</b> DC, battery operation only
3 DLED4-BI	dedolight focusing LED light head, bicolor
3 DT4-BI-BAT-AB	Battery power supply for DLED4 bicolor light heads (D-TAP)
3 DPLS	Light shield ring
3 DBD8	Standard barn door (eight leaves)
1 DLSR70	Speed ring for Classic Series and DLED4 light heads
1 DSBSXS	dedoflex mini soft box - 30x30x23cm (12x12x9")
1 DLGRIDXS	Grid (40°), fits mini soft box
3 LiTH 95 SI	Batteries with internal charger and mains cable
3 DLBCA2-V	Belt adapter for V-Mount batteries with holding plate for DT4(BI)-BAT-AB power supplies. D-TAP power out socket
3 DST	dedolight stands
1 DSC1/1-200	Soft case small
Size:	65 x 24 x 36 cm (25.6 x 9.5 x 14.2")
Weight:	15.4 kg (34 lbs)

<b>SLED3-D-BAT</b> 3 Light Kit	<b>Daylight - Battery</b> DC, battery operation only
-----------------------------------	---

**Same as SLED3-BI-BAT, but as 40 W daylight system with DLED4-D and DT4-BAT-AB power supplies instead of bicolor units.**



<b>SLED3-BI-B</b> 3 Light Kit	<b>Bicolor - Basic</b> mains operation only
3 DLED4-BI	dedolight focusing LED light head, bicolor
3 DT4-BI	Power supply for DLED4 bicolor light heads
3 DPLS	Light shield ring
3 DBD8	Standard barn door (eight leaves)
1 DLSR70	Speed ring for Classic Series and DLED4 light heads
1 DSBSXS	dedoflex mini soft box - 30x30x23cm (12x12x9")
1 DLGRIDXS	Grid (40°), fits mini soft box
3 DST	dedolight stands
1 DSC1/1-200	Soft case small
Size:	65 x 24 x 36 cm (25.6 x 9.5 x 14.2")
Weight:	13.7 kg (30.2 lbs)

<b>SLED3-D-B</b> 3 Light Kit	<b>Daylight - Basic</b> mains operation only
---------------------------------	---

**Same as SLED3-BI-B, but as 40 W daylight system with DLED4-D and DT4 power supplies instead of bicolor units.**



**SLED3-BI-S**      **Bicolor - Standard**  
3 Light Kit      AC/DC, mains and battery operation

(items in **bold** are in addition to **BASIC** kit)

- 3 DLED4-BI      dedolight focusing LED light head, bicolor
- 3 DT4-BI      Power supply for DLED4 bicolor light heads
- 3 DT4-BI-BAT-AB**      **Battery power supply for DLED4 bicolor light heads (D-TAP) with Kelvin display**
- 3 DPLS      Light shield ring
- 3 DBD8      Standard barn door (eight leaves)
- 1 DLSR70      Speed ring for Classic Series and DLED4 light heads
- 1 DSBSXS      dedoflex mini soft box - 30x30x23cm (12x12x9")
- 1 DLGRIDXS      Grid (40°), fits mini soft box
- 3 LiTH 95 SI**      **Batteries with internal charger and mains cable**
- 3 DLBCA2-V**      **Belt adapter for V-Mount batteries with holding plate for DT4(-BI)-BAT-AB power supplies. D-TAP power out socket**
- 3 DST      dedolight stands
- 1 DSC2/2-200**      **Soft case medium**

Size:      83 x 30 x 33 cm (32.7 x 11.8 x 13")  
Weight:      20.2 kg (44.5 lbs)

**SLED3-D-S**      **Daylight - Standard**  
3 Light Kit      AC/DC, mains and battery operation

**Same as SLED3-BI-S, but as 40 W daylight system with DLED4-D, DT4 and DT4-BAT-AB power supplies instead of bicolor units.**



**SLED3-BI-M**      **Bicolor - Master**  
3 Light Kit      AC/DC, mains and battery operation

(items in **bold** are in addition to **STANDARD** kit)

- 3 DLED4-BI      dedolight focusing LED light head, bicolor
- 3 DT4-BI      Power supply for DLED4 bicolor light heads
- 3 DT4-BI-BAT-AB      Battery power supply for DLED4 bicolor light heads (D-TAP) with Kelvin display
- 3 DPLS      Light shield ring
- 3 DBD8      Standard barn door (eight leaves)
- 1 DLSR70      Speed ring for Classic Series and DLED4 light heads
- 1 DSBSXS      dedoflex mini soft box - 30x30x23cm (12x12x9")
- 1 DLGRIDXS      Grid (40°), fits mini soft box
- 1 DP1.1**      **Imager projection attachment**
- 1 DPGH**      **Steel gobo holder (size ,M')**
- 1 DPGSET**      **Gobo set (six popular steel gobos, size ,M')**
- 1 DFXSET**      **Set of three structur glass filters with holders DFXT6-R / DFXT10-B / DFXT11-P**
- 1 DPACP**      **Accessory pouch**
- 3 DFH**      **Gel filter holder**
- 1 DGW**      **Gel filter set, warm tone (fits DFH filter holder)**
- 1 DGMD**      **Gel filter set, mixed diffusion (fits DFH filter holder)**
- 1 DGCOL**      **Gel filter set, color effect (fits DFH filter holder)**
- 3 LiTH 95 SI      Batteries with internal charger and mains cable
- 3 DLBCA2-V      Belt adapter for V-Mount batteries with holding plate for DT4(-BI)-BAT-AB power supplies. D-TAP power out socket.
- 3 DST      dedolight stands
- 1 DSC2/2-200      Soft case medium

Size:      83 x 30 x 33 cm (32.7 x 11.8 x 13")  
Weight:      21.5 kg (47.4 lbs)

**SLED3-D-M**      **Daylight - Master**  
3 Light Kit      AC/DC, mains and battery operation

**Same as SLED3-BI-M, but as 40 W daylight system with DLED4-D, DT4 and DT4-BAT-AB power supplies instead of bicolor units.**



# DLED4 4 LIGHT KIT – WITH SOFT CASE

**SLED4-BI-M** Bicolor - Master  
4 Light Kit  
AC/DC, mains and battery operation

(items in **bold** are in addition to **BASIC** kit)

- 4 DLED4-BI dedolight focusing LED light head, bicolor
- 4 DT4-BI Power supply for DLED4 bicolor light heads
- 4 DT4-BI-BAT-AB Battery power supply for DLED4 bicolor light heads (D-TAP) with Kelvin display**
- 4 DPLS Light shield ring
- 4 DBD8 Standard barn door (eight leaves)
- 2 DLSR70 Speed ring for Classic Series and DLED4 light heads
- 2 DSBSXS dedoflex mini soft box - 30x30x23cm (12x12x9")
- 2 DLGRIDXS Grid (40°), fits mini soft box
- 1 DP1.1 Imager projection attachment
- 1 DPGH Steel gobo holder (size ,M')
- 1 DPGSET Gobo set (six popular steel gobos, size ,M')
- 1 DFXSET Set of three structur glass filters with holders**
- 1 DFXT6-R / DFXT10-B / DFXT11-P**
- 1 DPACP Accessory pouch**
- 4 DFH Gel filter holder**
- 1 DGW Gel filter set, warm tone (fits DFH filter holder)**
- 1 DGMD Gel filter set, mixed diffusion (fits DFH filter holder)**
- 1 DGCOL Gel filter set, color effect (fits DFH filter holder)**
- 4 LiTH 95 SI Batteries with internal charger and mains cable**
- 4 DLBCA2-V Belt adapter for V-Mount batteries with holding plate for DT4(-BI)-BAT-AB power supplies.**
- D-TAP power out socket.**
- 1 DH2 Wall holder
- 1 CLAMP1 dedolight clamp
- 4 DST dedolight stands
- 1 DSCXLW Soft case large, with wheels**

Size: 94 x 30 x 38 cm (37 x 11.8 x 14.9")  
Weight: 26.8 kg (59.1 lbs)

**SLED4-D-M** Daylight - Master  
4 Light Kit  
AC/DC, mains and battery operation

Same as SLED4-BI-M, but as 40 W daylight system with DLED4-D, DT4, DT4-BAT-AB power supplies instead of bicolor units.



# DLED4 4 LIGHT KIT – WITH SOFT CASE

**SLED4-BI-B** Bicolor - Basic  
4 Light Kit  
AC, mains operation only

- 4 DLED4-BI dedolight focusing LED light head, bicolor
- 4 DT4-BI Power supply for DLED4 bicolor light heads
- 4 DPLS Light shield ring
- 4 DBD8 Standard barn door (eight leaves)
- 2 DLSR70 Speed ring for Classic Series and DLED4 light heads
- 2 DSBSXS dedoflex mini soft box - 30x30x23cm (12x12x9")
- 2 DLGRIDXS Grid (40°), fits mini soft box
- 1 DP1.1 Imager projection attachment
- 1 DPGH Steel gobo holder (size ,M')
- 1 DPGSET Gobo set (six popular steel gobos, size ,M')
- 1 DH2 wall holder
- 1 CLAMP1 dedolight clamp
- 4 DST dedolight stands
- 1 DSC2/2-200 Soft case medium

Size: 83 x 30 x 33 cm (32.7 x 11.8 x 13")  
Weight: 19.9 kg (43.9 lbs)

**SLED4-D-B** Daylight - Basic  
4 Light Kit  
AC, mains operation only

Same as above, but as 40 W daylight system with DLED4-D and DT4 power supplies instead of bicolor units.



# DLED9 LED LIGHT HEAD ASPHERICS<sup>2</sup>® OPTICS



The exceptional dedolight DLED9 combines the unique dedolight double aspheric optical system with state-of-the-art dedocolor® LED light sources. This light head is available in daylight, tungsten and a tunable bicolor version. Accepts all of the accessories and projection attachment/imagers which are identical to the ones in our Series 400 lighting fixtures (DLH400DT, DLH650 and DLH436).

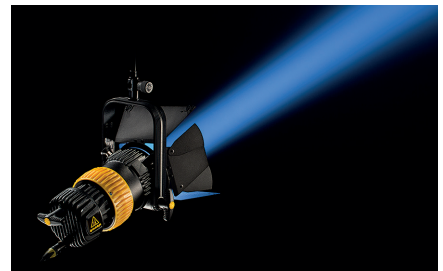
The DLED9 offers an astounding focusing range, excellent light and color distribution, with perfect color rendering qualities.

The power supply for this light works with all voltages from 90 - 264 V AC, and it allows continuous dimming without any color change.

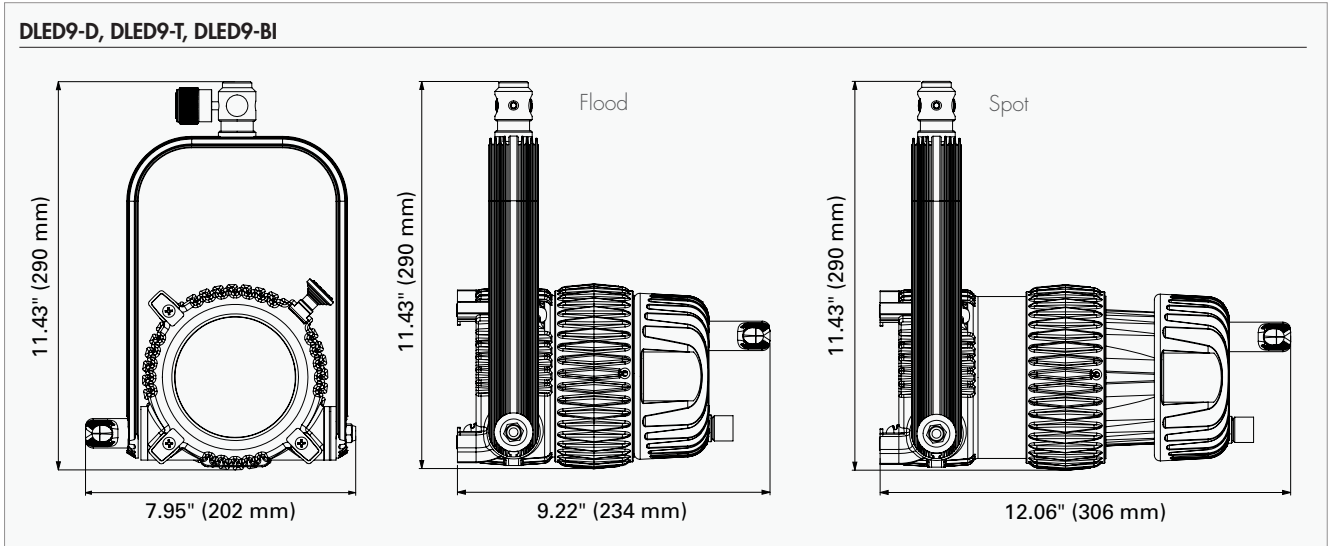


For studio use a pole-operated version is available also with DMX control.

For mobile use this light is also available with a separate ballast



# DLED9 TECHNICAL DATA



**FOCUSING LED LIGHT HEAD:  
DLED9-D, DLED9-T, DLED9-BI**

Focus Range (Intensity Range)	50-4° (1:12) with optional aspheric wide-angle attachment: 75°-44°
Focus Control	Two complete turns on focus ring
Power	90W
Mounting	5/8" (16 mm) receptacle and 1 1/8" (28 mm) stud
Operating Position	Any
Tilt Control	Permanent friction
Accessory Holder	Ø 5.1" (129 mm)
Safety	Protection Class III, SELV, IP40
Cooling	Passive cooling (no fan)
UV	No UV radiation
Weight	8.2 lb (3,700 g)
Size	W: 8.15" (207 mm) L (flood): 9.22" (234 mm) L (spot): 12.05" (306 mm) H: 11.73" (298 mm)

**DLED9-D Focusing LED Light Head. Daylight approx. 5600K**

Distance	Meter	1	2	3	4	5	10
	Feet	3'	6'	9'	12'	15'	30'
Flood	Lux	5,080	1,270	565	318	203	51
	Foot Candle	472	118	53	30	19	5
Medium	Lux	6,600	1,650	733	413	264	66
	Foot Candle	613	153	68	38	25	5,6
Spot	Lux	60,000	15,000	6,666	3,750	2,400	600
	Foot Candle	5,576	1,394	620	349	223	56

**DLED9-T Focusing LED Light Head. Tungsten approx. 3200K**

Distance	Meter	1	2	3	4	5	10
	Feet	3'	6'	9'	12'	15'	30'
Flood	Lux	3,860	965	429	241	154	39
	Foot Candle	359	90	40	22	14	4
Medium	Lux	5,680	1,420	631	355	227	57
	Foot Candle	528	132	59	33	21	5,3
Spot	Lux	40,800	10,200	4,533	2,550	1,632	408
	Foot Candle	3,792	948	421	237	152	38

**DLED9-BI Focusing LED Light Head. Bicolor measured at 5600K – daylight**

Color temperature continuously adjustable from 2700 – 6500K

Distance	Meter	1	2	3	4	5	10
	Feet	3'	6'	9'	12'	15'	30'
Flood	Lux	5,050	1,263	561	316	202	50
	Foot Candle	469	117	52	29	19	4,7
Medium	Lux	6,565	1,591	729	410	263	65
	Foot Candle	610	153	68	38	24	6
Spot	Lux	43,000	10,750	4,777	2,688	1,720	430
	Foot Candle	3,996	999	444	250	160	40

Bicolor in tungsten function ~ 25 % lower output



# POWER OPTIONS FOR DLED9

DT9 – AC power supply for DLED9 tungsten and daylight light heads.

DT9-BI – AC power supply for DLED9-BI bicolor light head

Allows worldwide use from 90V – 264V AC\* 50/60Hz

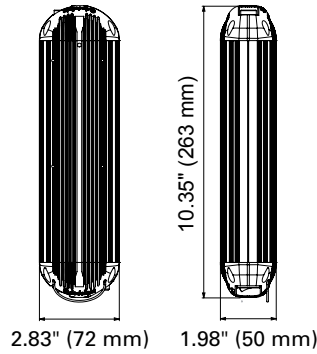
Continuous dimming with unique dedolight dimming algorithms allow smooth dimming, even at the low end

Add suffix “DMX” for above ballasts with DMX control (DT9-DMX)

Battery power supplies for DLED9-BI light heads with 11 - 36 V DC power input.

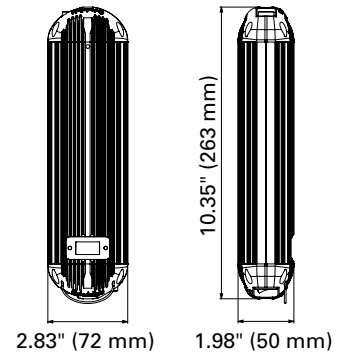
## DAYLIGHT / TUNGSTEN

### DT9

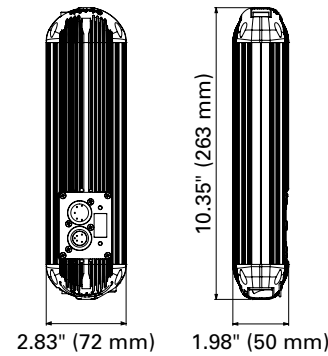


## BICOLOR

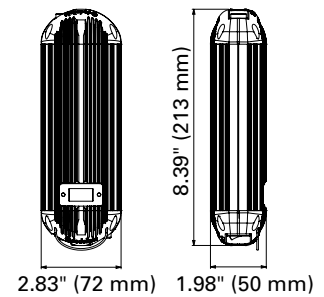
### DT9-BI



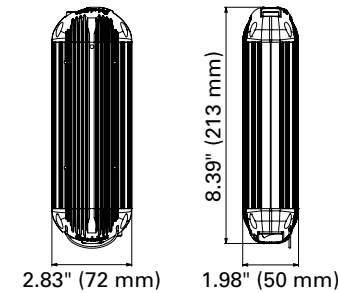
### DT9-DMX



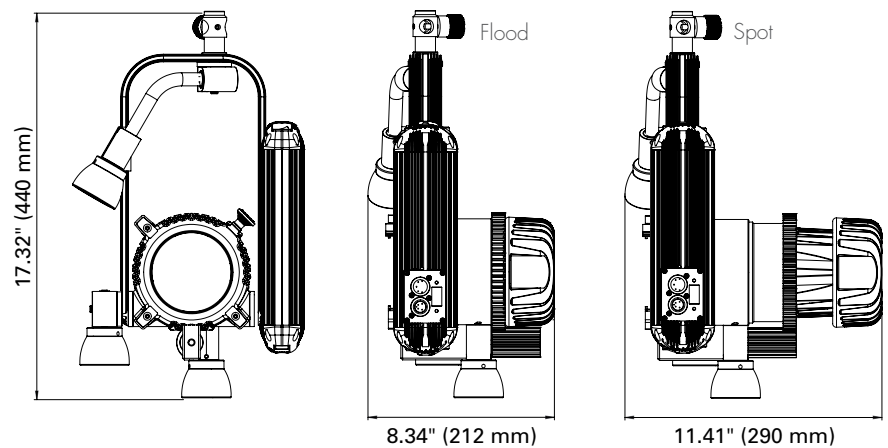
### DT9-BI-BAT-AB/DT9-BI-BAT-XLR



### DT9-BAT-AB / DT9-BAT-XLR



### DLED9SE for Pole-Operation with DMX



POWER SUPPLY FOR AC OPERATION: DT9, DT9-BI	
Input Voltage	90 - 264 V AC * 100 VA / 1 - 0.4 A 90 W
Output Voltage	40 V
Controls	ON/OFF switch, dimming knob
Dimming	Continuously from 100-0%
Safety	Protection Class I, IP40
Cable length (plug -> power supply)	Mains cable 8.2'/2.5 m
Cable length (plug -> light head)	Cable to light head 4.6'/1.4 m
Mounting	Cable loop
Weight	3.1 lb (1,400 g)
Size	L: 10.35" (263 mm) W: 28" (72 mm) H: 2" (50 mm)
*) functional range including tolerances	

# DLED12 DMX STUDIO EDITION

The DLED12 DMX is currently the largest in our range of focusing LED lights.

All our other DLED lights work with passive cooling – no fan – no noise

The extreme power of this light is compensated by a state-of-the-art cooling system – keeping noise at an extremely low level, important for studio application.

Noise level of our cooling system is distinctly lower than with other comparable lights.

dedolight aspherics2 optics provide the expected huge focusing range, clean beam and smooth light distribution.

All versions are available in daylight, tungsten and bicolor. Pole operation is optional.

Our R&D team has now produced light sources with further improvements in color quality, light output and focus range in all versions.

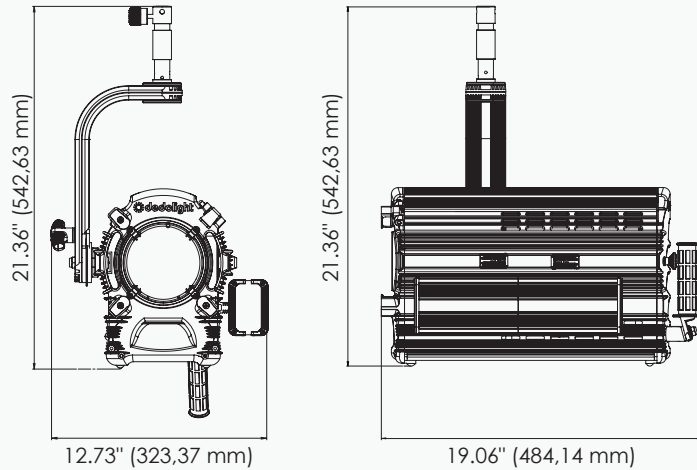


# DLED12 DMX TECHNICAL DATA

## DLED12-D-DMX, DLED12-T-DMX, DLED12-BI-DMX

### Pole-Operated Versions (n.s.):

DLED12-D-PO-DMX  
DLED12-T-PO-DMX  
DLED12-BI-PO-DMX



### POWER SUPPLY FOR AC OPERATION:

#### DLED12-D/-T/-BI-DMX

Focus Range (Intensity Range)	65-8° (1:6) with optional aspheric wide-angle attachment: 85-54°
Focus Control	Focus control on back
Dimming	Continuously from 100-0%
Power	90-264V AC * 240VA / 2.4-1 A 250W
Mounting	5/8" (16 mm) receptacle and 1 1/8" (28 mm) stud
Operating Position	+/- 90° (from horizontal)
Tilt Control	Adjustable friction
Accessory Holder	Ø 6.6" (169 mm)
Safety	Protection Class I, IP40
Cooling	Active heat pipe cooling with super quiet fan system
UV	No UV radiation
Weight	11,000 g ( 25 lb)
Size	W: 12.73" (323.5 mm) L: 15.40" (391.2 mm) H: 15" (381 mm)

\*) functional range including tolerances

### DLED12-D-DMX Focusing LED Light Head. Daylight approx. 5600K

Distance	Meter	1	2	3	5	10	15
	Feet	3'	6'	9'	15'	30'	45'
Flood	Lux	11,250	2,813	1,250	450	113	50
	Foot Candle	1,046	261	116	42	11	4.6
Medium	Lux	26,000	6,500	2,888	1,040	260	116
	Foot Candle	2,416	604	268	97	24	11
Spot	Lux	94,500	23,625	10,500	3,780	945	420
	Foot Candle	8,783	2,196	976	351	88	39

### DLED12-T-DMX Focusing LED Light Head. Tungsten approx. 3200K

Distance	Meter	1	2	3	5	10	15
	Feet	3'	6'	9'	15'	30'	45'
Flood	Lux	9,090	2,273	1,010	364	91	40
	Foot Candle	845	211	94	34	8.5	3.7
Medium	Lux	18,180	4,545	2,020	727	182	81
	Foot Candle	1,690	422	188	68	17	8
Spot	Lux	52,000	18,700	8,311	2,992	748	332
	Foot Candle	4,833	1,738	771	278	70	31

### DLED12-BI-DMX Focusing LED Light Head. Bicolor measured at 5600K – daylight

Color temperature continuously adjustable from 2700 – 6500K

Distance	Meter	1	2	3	5	10	15
	Feet	3'	6'	9'	15'	30'	45'
Flood	Lux	8,400	2,100	933	336	84	37
	Foot Candle	780	195	87	31	8	3.4
Medium	Lux	20,800	5,200	2,310	832	208	93
	Foot Candle	1,933	483	215	77	19	9
Spot	Lux	90,900	22,725	10,100	3,636	909	404
	Foot Candle	8,448	2,112	939	338	85	38

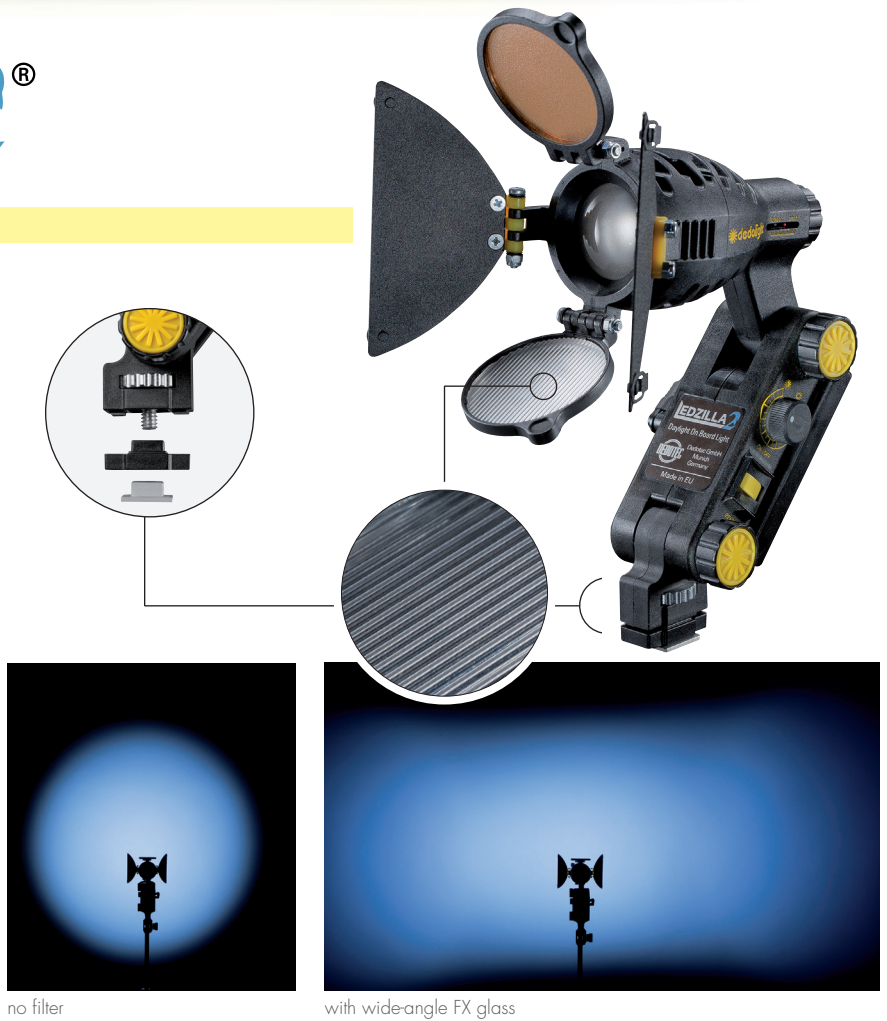
Bicolor in tungsten function ~ 17% lower output

# LED MINI ON BOARD-LIGHT – NEXT GENERATION



## DLOBML2 Daylight

- Amazing output in combination with dedolight double aspheric optics.
- Focuses like a dedolight. LED lights are usually not focusable.
- No other focusing LED light compares - 4° to 56°.
- Smooth light distribution in all and every focusing position.
- Now with flip-up, wide-angle effect glass for wide, horizontal spread with gentle flowing edges. Ideal for on-board work when several people are close to the camera.
- Converts from daylight to tungsten
- Powers from any 6V to 18V DC power source.
- Optional battery shoes are available for Sony, Panasonic, Canon and Nikon mini-DV batteries.
- NPF550 7.2V, 2000 mA, 105 minute run time.
- NPF750 7.2V, 4000 mA, 210 minute run time.
- NPF950 7.2V, 6000 mA, 330 minute run time.
- When dimmed to 50% light output, power consumption drops accordingly resulting in twice the run time.



- Alternative power from any Anton/Bauer or PAG system, V-Lock battery, car cigarette lighter output or battery belt.
- Power consumption is only 8W despite its high output.
- Operates from -40°C up to +40°C.
- LED power available indicator.
- Front-end bayonet mount allows the addition of attachments and light modifiers.

DLOBML2 LED Mini On Board-Light daylight 5600K							
Distance	Meter	1	2	3	4	5	
	Feet	3'	6'	9'	12'	15'	
Flood	Lux	435	109	48			
	Foot Candle	40	10	4.5			
Medium	Lux	957	239	106	60		
	Foot Candle	89	22	9.9	5.6		
Spot	Lux	5,400	1,350	600	338	216	
	Foot Candle	502	126	56	31	20	

### Option only for Ledzilla2:

Attach by front end bayonet mount



#### DLOBML-SBX12-CTO Front diffuser

Interchangeable front diffuser with color conversion to 3200K

# LEDZILLA BICOLOR – LED MINI ON BOARD-LIGHT



## DLOBML-BI Bicolor

- Color temperature can be adjusted in a very wide range, from 2700K all the way to 6500K. This light may be adjusted to all ambient light situations.
- Most LED Bicolor lights have only half the light out when set to daylight or tungsten. The Ledzilla Bicolor utilizes an LED array which produces a full 8W in both daylight and tungsten positions.
- In a Bicolor LED light, the tungsten position is generally 25-30% weaker than in daylight. The multichip light source of the Bicolor Ledzilla utilizes 9 mini-chips arranged in a checkerboard pattern. We use 5 chips in the tungsten position and 4 chips in the daylight position. This results in a nearly equal light output in both daylight and tungsten positions.
- Regardless of the settings of the color temperature, the light output is smoothly dimmable all the way down to full zero, without any 'digital' steps.
- The Ledzilla Bicolor is a focusing light. It comes standard with an 8-leaf barn door which can be rotated. Optionally, a more complex barn door may be used, which is also rotatable as a whole, but features individual leaves which can be rotated on their own. This allows trapezoidal shadow shapes to be formed even when lighting from an angle. In normal onboard operation this may not be necessary, but for precision lighting of artwork from an angle is very useful.
- A bayonet attachment allows the interchangeability of the front optical elements with front-end accessories, like the soft box, the China lantern and the soft tube (exactly the same that you can also use on the Ledzilla2).
- All the power options are identical with the options described for the Ledzilla2.
- The Ledzilla Bicolor features perfect color values. In daylight – CRI92, in tungsten setting – CRI97 (TLCI).
- Ledzilla bicolor WA (DLOBML-BIWA). This bicolor Ledzilla is identical with the regular bicolor version, but like a Ledzilla2, only with 2 barn door leaves and a wide-angle effect filter. See image on opposite page, Ledzilla2.



### DLOBML-BI Ledzilla Bicolor as measured in daylight position 5600K

Distance	Meter	1	2	3	4	5	10
	Feet	3'	6'	9'	12'	15'	30'
Flood	Lux	330	83	37			
	Foot Candle	31	7.7	3.4			
Medium	Lux	726	182	81	45		
	Foot Candle	67	17	7.5	4.2		
Spot	Lux	2,650	663	294	166	106	
	Foot Candle	246	62	27	15	9.9	

*Bicolor in tungsten function ~ 15% lower output*

## Options for Ledzilla2 and Bicolor: Soft-Tube, Softbox, White Dome

Attach by front end bayonet mount



### DLOBML-SBX12 Soft box

5"/12 cm wide – Gentle fill light, easy to look at, ideal for close ups. Filter slot accepts tungsten conversion filter.



### DLOBML-WD15 White dome

5.9"/15 x 15 cm (china lantern) soft box, gentle light, evenly distributed, perfect as general fill light. Side covers can be opened individually.



### DLOBML-LT20 Soft tube

8"/20 cm long – Ideal for soft light in confined areas, e.g., car interior at night. Detachable light shaper – folding plastic barn doors.

# MOUNTING & ACCESSORIES

## (FOR LEDZILLA®, IREDZILLA, FLUORESZILLA)

### Camera Adapter

#### DLA-LB

Large Bone  
2 x female shoes  
and 3 x 1/4"  
receptacles.  
Mounts to camera  
with 1/4" screw



#### DLGA300

Articulating arm 300 mm  
300 mm, Square top,  
male shoe or 1/4"  
male to camera



#### DLGA200

Articulating arm 200 mm  
200 mm, Square top,  
male shoe or 1/4"  
male to camera



#### DLBSA-MBJ

Metal ball joint  
with shoe



#### DLBSA-U

Square top  
with 1/4",  
ends in male shoe



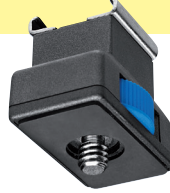
#### DLBSA-M

1/4" male to mini shoe  
for Sony mini camcorder,  
use with DLBSAT



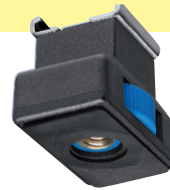
#### DLBSA-S

Female shoe adapter  
to 1/4" male



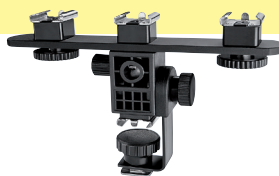
#### DLBSA-T

Female shoe adapter  
to 1/4" female



#### DLBSA-3S

Triple shoe  
with tilt lock



### Stand Adapter

#### DLA-ML

Square top accepts  
16 mm baby stud (5/8")



#### DLBSA-JSF

Hotshoe accepts 16 mm  
baby stud (5/8")



### Transport Pouch

#### DLOBML-P

Soft pouch for  
LED Light Head



### Stand Alone

#### DLBRS

Rail with 1/4" screw  
for camera and  
shoe for light head



#### DLBRHS

Rail with folding handle  
1/4" screw for  
light head



#### DV3GA

Vacuum mount  
Ø 7.5 cm / 3"  
vacuum mount  
with 200 mm  
articulating arm



#### DLBSA-TS

Table shoe  
9.5 x 6.3 x 1.2 cm  
(3.7" x 2.5" x 0.5"),  
with shoe for light



#### DLBSA-HAND

Shoe adapter  
with handle



# POWER SUPPLY

## (FOR LEDZILLA<sup>®</sup>, IREDZILLA, FLUORESZILLA)

### Battery Shoes

#### DLOBML-BS

for 7.2 V Sony for NP-F / Panasonic VW-VBD1



#### DLOBML-BSV

for 7.2 V Sony NP-FV

#### DLOBML-BSU

for 12 V Sony for BP-U

#### DLOBML-BP

for 7.2 V Panasonic for CGA

#### DLOBML-BP2

for 7.2 V Panasonic for VW-VBG6

#### DLOBML-BP3

for 7.2 V Panasonic for VW-VBG 070 / 130/260, CGA-DU07/14/21

#### DLOBML-BP4

for 7.2 V Panasonic VW-VDB 58

#### DLOBML-BC

for 7.2 V Canon for BP-9

#### DLOBML-BC2

for 7.2 V Canon for BP 808 / 809 / 819

### Photo Battery Shoe:

#### DLOBML-PBC1

for 7.2 V Canon for LP-E6

#### DLOBML-PBN1

for 7.2 V Nikon for EN-EL3E

#### DLOBML-PBN2

for 7.2 V Nikon for EN-EL15

#### DLOBML-PBP1

for 7.2 V Panasonic for DMW-BLF19E

### Batteries

#### DLB-NPF550

7.4 V Li-Ion battery  
14.8 Wh (2000 mAh)



#### DLB-NPF950

7.4 V Li-Ion battery  
43.2 Wh (6000 mAh)



### Batteries

#### DLCH-NPF

NPF-Battery  
Charger  
Input: 100-240V



#### DLBF-8AA

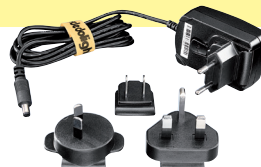
External battery box  
for 8 AA batteries  
1.5V



### Power Cable

#### DLPS-12

100-240V  
with 12V DC  
output



### Belt Adapter

#### DLBCA-NPF

NPF Adapter  
Belt holder  
with Velcro  
loop to carry  
NPF battery  
on a belt



#### DLBCA-V

V-Mount belt adapter  
without ballast holder,  
separate extension cable  
to light head needed



#### DLBCA-AB

Anton/Bauer-Mount belt  
adapter without ballast  
holder, separate extension  
cable to light head needed



### Battery Cables

#### DLOBML-AB-S

Cable 22 cm / 9" with  
Anton/Bauer connector



#### DLOBML-AB-L

Anton/Bauer Cable L  
55 cm / 22" with  
Anton/Bauer connector



#### DLOBML-SWIT

Swit Cable 55 cm / 22"  
with Ø 2.1 / 5.5 mm connector  
for Swit battery



#### DLOBML-PAG

PAG Cable 55 cm / 22"  
with Ø 2.1 / 5.5 mm connector  
for PAG battery



#### DLOBML-XLR

65 cm - 1.30 m /  
25 - 51"  
with 4-Pin XLR connector



#### DLOBML-CAR

Cable 1.8 m (6 ft.)  
with cigarette light  
connector





### DLOBML-IR860 860 NM Infrared LED

Works with cameras having a night-shot function such as Somikon DV-883IR, Sony HDR-XR550/HDR-CX730E/DCR-TRV355E/PMW-100 and Canon XA10/XA20/XA25.

### DLOBML-IR960 960 NM Infrared LED

Works with special night-vision surveillance cameras.

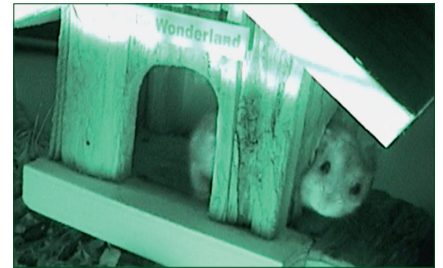
- World's first focusing near infrared illuminator that focuses like a dedolight.
- With focusing range of 4° to 56°

- Even light distribution in all focusing positions.
- Dimmable down to 4%.
- Illumination up to 40 m (130 ft) (tested with Sony Nightshot Camcorder)
- Powers from any 6V to 18V DC power source.
- Power consumption is only 6W
- Operates from -40°C up to +40°C.
- Various power cable and mounting accessories are available
- Works with most night vision equipment
- Optional battery shoe for Panasonic, Sony, Canon and Nikon 7.2 V Li-Ion batteries
- NPF550 7.2V, 2000 mA, 105 minute run time.
- NPF750 7.2V, 4000 mA, 210 minute run time.
- NPF950 7.2V, 6000 mA, 330 minute run time.
- Optional power cables are available for Anton/Bauer and PAG systems, car cigarette lighter outputs or battery belts/packs
- The light projected from an 860 nm infrared LED is invisible to the human eye, however you may see a dull red glow when looking

directly at the front lens. Also available in a 960 nm version (completely invisible for special IR-Sensor)

- Applications:
  - Infrared Illumination for cameras (night shot)
  - Infrared photography
  - Surveillance systems
  - Machine vision systems
  - Wildlife observation
  - Criminology

Light head	radiation	
	flood 1m	spot 1m
DLOBML-IR860	9 mW/m <sup>2</sup>	98 mW/m <sup>2</sup>
DLOBML-IR960	9 mW/m <sup>2</sup>	61 mW/m <sup>2</sup>



# FLUORES-ZILLA



### DLOBML-UV400 UV 400 LED

### DLOBML-UV365 UV 365 LED

- Amazing light output with dedolight double aspheric optics
- Worldwide first black light source that focuses like a dedolight from 4° to 56°
- No heat emission in exiting rays

- No other focusing long-wave 400 nm UV-A LED light source has comparable focus range
- Perfectly even light distribution in each focus position
- Extremely gentle dimming from full intensity to 5% without change of color
- Power supply from 6V – 18V DC
- 1500 mW output
- Power consumption, 6W
- Operating from -40°C to +40°C
- LED power indicator
- Optional battery shoe for Sony, Panasonic, Canon and Nikon 7.2 V Li-Ion batteries.
- NPF550 7.2V, 2000 mA, 105 min. run time
- NPF750 7.2V, 4000 mA, 210 min. run time
- NPF950 7.2V, 6000 mA, 330 min. run time
- When dimmed to 50%, power consumption is lowered accordingly, resulting in twice the run time.
- Alternative power supply from Anton/Bauer or PAG system, cigarette lighter adapter or battery belt.

- In comparison to 365nm LEDs Fluoreszilla with 400 nm LED shows higher percentage of violet. Many materials reacting to fluorescent light appear in double brightness.
- Fields of application:
  - Black light effect / UV-active body paint
  - UV-active deco material
  - Magic ink / Edding UV-marker
  - Fluorescent wall paint (paintings)
  - Bank note – document testing
  - Mineralogy
  - Criminology

Light head	radiation	
	flood 1m	spot 1m
DLOBML-UV365	6 mW/m <sup>2</sup>	51 mW/m <sup>2</sup>
DLOBML-UV400	8 mW/m <sup>2</sup>	71 mW/m <sup>2</sup>





# DLED – UV AND IR LED SPECIAL LIGHT HEADS

## DLED2 Special – Infrared



**DLED2-IR960**

- 20 W IR LED comes in two DLED2 yoke versions.

- DLED2Y-IR860 works at 860 nm and may be used on cameras with NIGHT SHOT / NIGHT VISION mode. The LED chip itself show red color when switched on
- DLED2Y-IR960 works at 960 nm which is suitable for military cameras. The LED chip itself shows no visible light, even if switched on. Completely invisible light source.
- Separate DT2-BAT-IR and DLED2POW extension cables in three sizes available  
55 cm (1.8'), 140 cm (4.6'), 300cm (9.8')



- LED power indicator
- Mains power: DPLS12-30 universal AC power supply, 30 W
- Optional battery belt holder for Sony NPF 7.2 V Li-Ion batteries (DLBCA2-NPF)
- Compatible with DLED2 light shaping accessories

Light head	radiation	
	flood 1m	spot 1m
DLED2-Y-IR860	30 mW/m <sup>2</sup>	160 mW/m <sup>2</sup>
DLED2-Y-IR960	23 mW/m <sup>2</sup>	102 mW/m <sup>2</sup>

## DLED4 Special – Infrared and UV



**DLED4-IR860**

### INFRARED:

- 40 W IR LED comes in DLED4 housing
- DLED4-IR860 infrared LED for cameras with NIGHT SHOT / NIGHT VISION mode.



**DLED4-UV400**

### ULTRA-VIOLET („black light“):

40 W UV LED comes in two DLED4 versions:

- DLED4-UV365 works at 365 mn wavelength.
- DLED4-UV400 works at 400 mn wavelength.

### INFRARED / ULTRA-VIOLET:

- AC and battery powered operation for all DLED4 IR / UV lights:  
AC: DT4  
DC: DT4-BAT-AB / -XLR
- Compatible to DLED4/CLASSIC SERIES light shaping accessories

Light head	radiation	
	flood 1m	spot 1m
DLED4-IR860	38 mW/m <sup>2</sup>	300 mW/m <sup>2</sup>
DLED4-UV365	19 mW/m <sup>2</sup>	190 mW/m <sup>2</sup>
DLED4-UV400	70 mW/m <sup>2</sup>	920 mW/m <sup>2</sup>

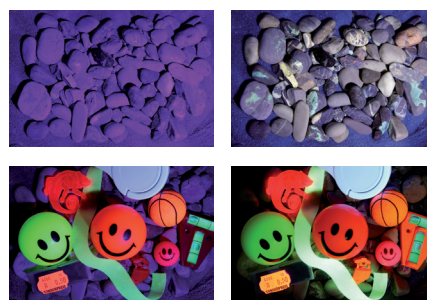
## DLED9 Special – UV 400



**DLED9-UV400**

### ULTRA-VIOLET („black light“):

- 80 W DLED9-UV365 works at 365 mn wavelength.
- DLED9-UV400 works at 400 mn wavelength.
- AC and battery powered operation for all DLED9 UV lights:  
AC: DT9 (see page 20)  
DC: DT9-BAT-AB / -XLR (page 20)
- Compatible to DLED9/SERIES400 light shaping accessories



Light head	radiation	
	flood 1m	spot 1m
DLED9-UV365	43 mW/m <sup>2</sup>	142 mW/m <sup>2</sup>
DLED9-UV400	75 mW/m <sup>2</sup>	650 mW/m <sup>2</sup>

- New optical elements provide highest light efficiency and reach with perfect color rendition and a pleasing, 'human' light character.
- Even over a distance of 6 meters (20ft) more than 700 lux at 220W power consumption - most probably an unequalled light efficiency.
- Passive cooling: no fan – no noise
- Manual and DMX control included
- Amazing price/performance ratio

### Other versions of Ledrama:

- ledrama large - size  
120x40 cm (47" x 15.7")  
Code: **DLEDRAMAL-D / DLEDRAMAL-BI**
- ledrama Small - size  
40x40 cm (15.7" x 15.7")  
Code: **DLEDRAMAS-D / DLEDRAMAS-BI**

### DLEDRAMA-D Daylight

Standard, 2,304 SMD-LEDs  
Fixture Size 80x58 cm (31.5" x 22.8")

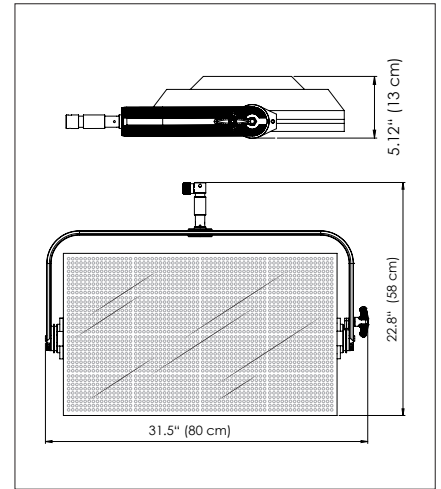
### DLEDRAMA-BI Bicolor

Standard, 4,608 SMD-LEDs  
Fixture Size 80x58 cm (31.5" x 22.8")

**Amazing:** The bicolor ledrama in daylight function offers identical light output and reach as the daylight light fixture. Every individual light source changes the color.

### Technical Data: DLEDRAMA-D / DLEDRAMA-BI

input	90-264V AC / 28V DC
power consumption	220W
CCT	5600K (D), 3000K-5600K (BI)
beam angle	45°
operating temperature	-10° to 35° C (14° to 95° F)
weight	19 kg (41.8 lb), PO+2 kg (4.4lb)



**New: Ledrama Softbox,**  
**Front diffuser size: 108 x 60 cm**  
includes nano-optics for super smooth wide-angle light distribution, covering the front diffuser smooth and even

- Other accessories available
- Grid for front of softbox (40 degree)
- Honeycomb attachment mounts directly to the front of the light (instead of the softbox)

### DLEDRAMA-D LED Panel. Daylight approx. 5600K

CRI Ra (1-8): >93		CRI Re (1-15): >90				TLCI: 96
Distance	Meter	1	2	3	5	6
	Feet	3.3'	6.6'	9.8'	16.4'	19.7'
Intensity	Lux	23,600	5,900	2,622	944	700
	Foot-Candle	2,193	548	244	88	65

### DLEDRAMA-BI LED Panel. Bicolor measured at 5600K – daylight and 3200K – tungsten

CRI Ra (1-8): >93		CRI Re (1-15): >90				TLCI: 93
Distance	Meter	1	2	3	5	6
	Feet	3.3'	6.6'	9.8'	16.4'	19.7'
Intensity D	Lux	23,600	5,900	2,622	944	700
	Foot-Candle	2,193	548	244	88	65
Intensity T	Lux	17,000	4,250	1,889	680	472
	Foot-Candle	1,580	395	175	63	44



# LED FACTS AND TOOLS

## FACTS:

Expectations often revolve around magic properties of the LED system.

### No heat!

True, there is very little heat emitted forward from LED fixtures

### BUT

Heat ON the LED light source is enormous. 80% of the energy is transformed into heat. Needs perfect cooling, because at 85°C, color, light output and lifetime are in danger. At 100°C the LED dies. Passive cooling (no fan) involves large cooling surfaces and contributes to weight. Active cooling (with fan) is needed especially for many of the higher wattage LED light sources.

### Lifetime

A lot of information on the Internet suggests a lifetime of 50,000 hours or more. In reality, the lifetime maybe much lower in professional fixtures

### Lumen Maintenance

The continuity of light output depends on the working temperature. In continuous use, the lumen output may be 20% lower after 10,000 hours (LM80).

### Color quality

LED color quality cannot be measured with traditional color meters. It needs spectrum analysis.

Traditional CRI only shows 8 colors. Expanded CRI with 15 colors is more meaningful, but related to the response of the human eye. TLCI (Television Lighting Consistency Index) is an important step for the evaluation of LED light as seen by digital cameras, but refers mostly to studio cameras with 3CCD sensors. CMOS cameras may show many traditional light sources identically, but diverging results with LEDs. At dedolight we have been testing for many years our LED lights and others in most critical tests. Color rendition on human skin. One side of a face is lit with a reference light,

as used in professional work, such as halogen or Kino Flo daylight tubes, compared to the other side of the face which is lit with LED light. We have achieved satisfactory results in these most demanding, critical tests, showing good congruence of skin tones. We see this as a major breakthrough for our lights.

At dedolight we strive to find our color coordinates exactly on the Planck curve, and we work on very strict tolerances from this Planck curve ( $\Delta$  UV maximum +/-0.0054). Any such minimal deviations will be measured with each light fixture individually and shown on the label of each light head.

### Color Maintenance

Over many hours of use, dedolight LEDs may show lower color temperature in tungsten by approx. 100 Kelvin, whilst in daylight color the temperature may rise to approx. 200 Kelvin. Both values still stay 'on the Planck Curve'. No change in deviation from the Planck Curve ( $\Delta$  UV), no shift towards green or magenta from the original color coordinates. This is a major advantage, since shifts along the Planck Curve are less detrimental to skin tone rendition than green and magenta. We avoid green and magenta adjustment, as this is undesirable for skin tone rendition. Only when shooting in fluorescent light situations with strong green content, we suggest identical filters (1/2 plus green filters on all lights). Correction by white balance or in postproduction.

### Advantages of our LED systems

- Best color quality
- Best color matching with traditional light sources
- Low power demand – mobile teams can work with camera batteries. High mobility, no cables.
- Bicolor version adjustable from 2,700K to over 6,000K
- Ability to match most ambient light situations by the turn of a knob.
- Successful transfer of our awarded and patented optical achievements.
- For each LED newly calculated optics

## TOOLS:

### For the biggest studio

Our multi-LED Ledrama panel lights offer highest efficiency. At 20ft distance (6 meters) over 700 lux with only 220W power consumption. New optics with over 2000 light sources provide gentle light character. Our Ledrama lights may be accompanied by our focusing DLED12 and DLED9 fixtures.

### Mid-size studios

The Ledrama S 40x40 and our Felloni multi-LED panel lights work beautifully with our focusing DLED4 lights.

### Mobile team

Our Portable Studio concept has been successful worldwide. Now available in LED systems.

### BRAND NEW

Our focusing series of Turbo lights (see separate brochure). Same size, same small kits and packages, seriously enhanced light output.

### Onboard Lighting

Our Ledzilla light shows highest versatility also in bi-color version and with flip-up wide-angle optics for work at close proximity. Our 20W focusing DLED lights are often used on-camera with and without soft box.

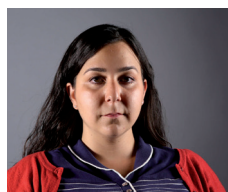
### Light Shaping and Imaging Accessories



An incredible variety and choice of imaging and light-shaping accessories are available for all of our focusing LED lights.

### Future 2016

We will introduce some more multi-LED panel lights for mobile teams with drastically enhanced output and further improved light character. As on- and off-board version of the Ledrama family, we will introduce the Pocket Ledrama.

Our huge soft lights, Panaura7 and Panaura5 will be introduced as LEDRAPTOR in mono-color and bi-color LED versions.



Left part of face: TEST LED		<b>Felloni DCOL T50H0</b> <b>3200K setting</b> <b>with std. diffuser</b> <b>1000</b>	<b>LIGHT HEAD</b> <b>COLOR SETTING</b> <b>SPECIAL</b> <b>LUX</b> <b>CAMERA PRESET</b>	<b>dedolight DLH1r150S</b> <b>(DT24-f) 3200K</b> <b>1000</b> <b>3200K</b>		Right part of face: REFERENCE LIGHT
--------------------------------	---	---	---	--	---	--

# CLASSIC DEDOLIGHT – FOCUSING AND SOFT LIGHTS

## Low voltage systems

The special light sources dedolight's use produce 40 lumen per watt whilst studio halogen lamps produce only 20 lumen per watt.

A traditional halogen Fresnel provides only 6% efficiency in its spot position. dedolight's have 3 times as much by virtue of our optics. Our low voltage light sources cost only 25% in comparison to high voltage halogen lamps of the same output. Additionally, low voltage lamps are not easily destroyed by shock or vibration, which makes them "travel-proof" and thus increases their life.

These 150 watt lights produce an output comparable to a 500 watt traditional Fresnel, but with a much higher focusing range. They also offer perfect light distribution, clean beam and unprecedented control accessories. dedolight's have become the lights of choice for the highest precision in lighting control on blockbuster films and smaller teams working under street fighter conditions.

## Focusing dedolights with metal halide light sources

3 different series: series 200 – series 400 – series 1200

- Another step in our award-winning optics
- Zoom focus
- Double aspherical optics
- Unprecedented control, quality and character
- Unique imaging

## Panaura® Soft Lights

- True "wrap-around" light character
- No hot spot
- Light efficiency more than double in comparison to soft boxes in front of regular studio lights
- Less space, less weight, truly deserving the attribute "portable window"

## The Portable Studio Concept

Unbeatable – over 10,000 users

- Lighter
- Most compact
- More versatile
- Indestructible
- The most economical lighting system available



## Soft case with wheels for Portable Studio



### DSC2/2-200 W

robust soft case, identical to DSC2/2-200, but with wheels

The DSC2/2-200W soft case with wheels can be replaced on the following kits:

- SLED3 - 3-Light LED Kits
- SLED4 - 4-Light LED Kits
- S200-3 - Sundance Kit
- S2 / S3 / S4 - Tungsten Kits
- SPS4 - 4-Light Tungsten Kit
- SPS5 - 5-Light Tungsten Kit
- SPHOTO1 - Photographer Kit
- SPHOTO2 - Wedding/Reporter Kit

Now also in hard case versions, with wheels and pull-out handle.

## Imaging accessories

Optical design matching the optics of our focusing lights  
Unprecedented light and shadow control.

dedolight super high transmission lenses:

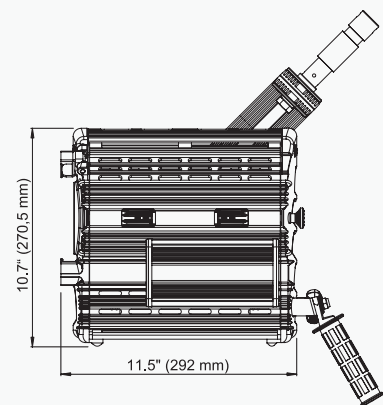
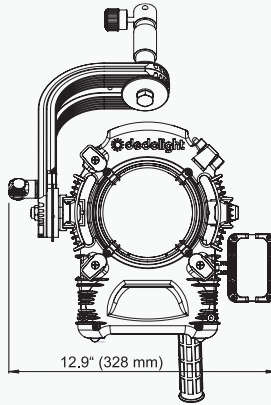
- Highest resolution
- Perfect contrast
- No color fringing
- No halation
- No curvature of field
- None of the "seven sins" of imaging



# THE NEW 1200 W DAYLIGHT-SYSTEM

Many years of experience culminate in this new concept. Double aspheric optics and zoom focus. These concepts are patented and have been twice recognized by the Oscar Committee of The Academy of Motion Picture Arts and Sciences.

## DLH1200D, DLH1000T



### FOCUSING LED LIGHT HEAD: DLH1200D

Focus Range	1:18 with aspheric wide-angle attachment: 1:50
Lamp	DL1200DHR, 1200W, single ended hot restrike, G22.
Mounting	16 mm (5/8") receptacle and 28 mm (1 1/8") stud
Safety	Safety switch prevents operation when access door is open
ON/OFF:	On / Off buttons located on both, head and ballast, for ease of operation
UV	Extremely low UV emission
Weight	10.5 kg / 23 lb
Size	W: 12.9" (328 mm) L (flood): 11.5" (292 mm) L (spot): 11.5" (292 mm) H: 10.7" (270.5 mm)

- Higher light yield
- Higher focusability
- Perfect light and color distribution
- Highly efficient convection cooling
- Rainproof
- Super service friendly
- Flips open like a book – easy access
- Extremely low UV values, approx. 1/20 of the value shown by other lights

### Hard Case DCHD1200

Size: 71 x 37 x 43 cm (2.3' x 1.2' x 1.4')  
Weight: 14.5 kg / 32 lbs



### DLH1200D Focusing Light Head. Daylight 5600K

Distance	Meter	1	2	3	5	10	15
	Feet	3'	6'	9'	15'	30'	45'
Flood	Lux	62,100	15,525	6,900	2,484	621	276
	Foot Candle	5,771	1,443	641	231	58	26
Medium	Lux	366,183	91,546	40,687	14,647	3,662	1,627
	Foot Candle	34,032	8,508	3,781	1,361	340	151
Spot	Lux	783,000	195,750	87,000	31,320	7,830	3,480
	Foot Candle	72,770	18,192	8,086	2,911	728	323

### DLH1000T Focusing Light Head. Tungsten 3200K

Distance	Meter	1	2	3	5	10	15
	Feet	3'	6'	9'	15'	30'	45'
Flood	Lux	14,670	3,668	1,630	587	147	65
	Foot Candle	1,363	341	152	55	14	6
Medium	Lux	36,675	9,170	4,075	1,468	368	163
	Foot Candle	3,408	852	379	136	34	15
Spot	Lux	156,150	39,038	17,350	6,246	1,562	694
	Foot Candle	14,512	3,628	1,612	580	145	65

# DEB1200D THE ELECTRONIC BALLAST



## DEB1200D Electronic Ballast

### DPOW1200D Cable

- Leading edge technology
- Low heat dissipation
- Silent ventilator remains off during normal operation and operates under high heat conditions only
- Active power factor correction (PFC)
- Funktional range from 90-264V AC
- Overload protection
- Surge protection
- Short circuit protection
- Auto start function
- DMX control is standard
- Rainproof construction
- The ballast can be opened within 30 seconds – like a book
- Full access to all elements and electronics

## Technical Data: DEB1200D Electronic Ballast

The frequency to operate the lamp is switchable from normal flicker-free function to 1000Hz for high-speed recordings

**Weight:**  
11.4 kg

**Output Power:**  
1200 W

**Input Voltage:**  
90-264V AC \*

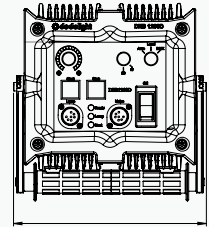
**Indicators:**  
3 Status-LEDs (Ready, Lamp, Heat)

**Dimming Range:**  
50-100%

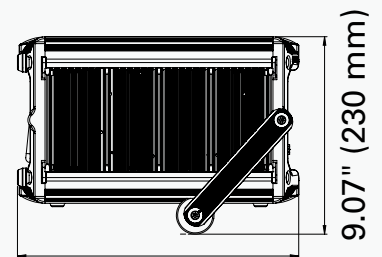
**DMX-Control**  
DMX control and auto start mode can be chosen.

Stand mounting optional with double-holding clamp: DEB1200H

*\*) functional range including tolerances*



9" (225 mm)



9.07" (230 mm)

12.95" (328 mm)

## THE TUNGSTEN-EDITION OF THE NEW SERIES 1200



### DLH1000T

A mains operated light with unrivaled focusing range and superior light quality. Can be used with a choice of G22 halogen lamps available in 1 kW, 750W, 650W and 500W from 120-240V.

### DLH1000TPO

Pole operated Versions for studio applications



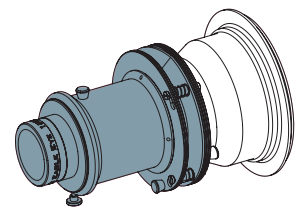
### DLH1000T-DMX

### DLH1000TPO-DMX

with DMX controlled integrated dimming

### DP1200KU

complete imager with universal module for Series 1200 light heads. 150 mm projection lens included.



### DP1200KFS

complete imager with framing shutter blade module for Series 1200 light heads. 150 mm projection lens included.

### DP1200CON-WA

For special wide-angle lenses 70 mm and 100 mm with special versions of framing shutter and universal modules.



# THE PORTABLE WINDOW

## A DEDICATED SOFT LIGHT SYSTEM

### Why do we call it dedicated?

Similar to the other known seven dedolight soft lights, these have been conceived exclusively as optimal soft lights

- Light output is double in comparison to a soft box in front of a studio Fresnel light, because the actual light sources are placed in the focal point of the reflector
- Gentle wrap around character

On an optimum soft light source, the light emission on the large diffuser should be perfectly even to the edge. It should even be somewhat more intense towards the edge.

Both variations are offered by this soft light by changing the standard inner diffuser with a rim-aura diffuser (both types included).

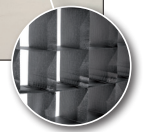
- The standard inner diffuser provides perfectly smooth and equal light distribution



The inner Rim-Aura diffuser provides a brighter rim area (Aura) on the front diffuser and is closer to the idea of a "wrap around light"



Alternatively, use the large inner diffuser for all over even light



Panaura® 7 with 40° grid

### Tungsten / Daylight

dedolight is probably the only one who offers the interchangeability of daylight discharge lamps with tungsten discharge lamps. Both have equally high light output, identical high color quality and both work with the same ballast.



**DL400DHR-NB**

Metal Halide Lamp 400/575 W Daylight

**DL575THR-NB**

Metal Halide Lamp 400/575 W Tungsten

### intensity control in six steps with no change of color.

This two lamp system offers a wide range of intensity control. Each lamp is individually controlled and can be switched from 575 W to 400 W or continuously dimmed to 300 W and then switched off. This results in an unprecedented range of intensity control without any change to color quality.

### Higher Output – More Light – Less Consumption – Less Heat



**DLHPA7x2DT**

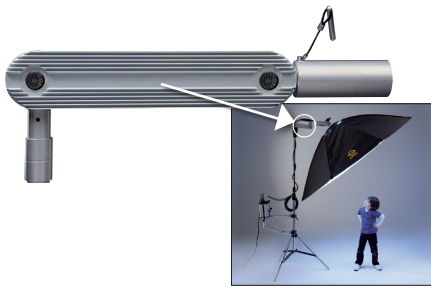
Soft light head for 2 lamps, daylight or tungsten, interchangeable, same high light output. Both lamps work with the same ballasts.

How do you want to call it?  
Energy Efficient? Green-Tec?  
dedolight Panaura®?  
The Portable Window?  
... or just the soft light with the most loving character?

Even though we do not favor the hot spot philosophy, we still have 140 percent light level in the center compared to a 5000W tungsten Fresnel with a soft box and use only 1150W.

250 percent light level towards the rim compared to a 5000W tungsten Fresnel with a soft box – and we still only use 1150W.

Panaura® compares favorably with a soft box on a 2.5kW daylight studio light – more light and uses only 1150W.



#### DLHPA7-EXT

##### Yoke Extension

For use with Panaura® 7 in tilted position for extra distance between light stand and Panaura® 7.

#### DLPA7\*

dedolight Panaura® 7 textile reflector with additional rear cowling and 2 different inner diffusers (DLPA7D2 standard diffuser and DLPA7D2S rim aura diffuser) as well as the DLPA7D1 large front diffuser.

#### DLPA7x4T\*

dedolight Panaura® 7 special version – textile reflector with super high heat resistant material and additional air vents for use with DLHPA7x4T (4 x 1000 W).

\* When using the Panaura® 7 with DLHPA7x2T and DLHPA7x4T heads and Panaura® 5 with DLH1000SPLUS head with halogen lamps in a straight downward position (for extended period of time), please order "heat shield inserts".



For Panaura® 5:

#### DLPA5-HTS4

Set with 4 heat shields



For Panaura® 7:

#### DLPA7-HTS3

Set with 3 heat shields

#### DLPA5-HTS8

Set with 8 heat shields

#### DLPA7-HTS8

Set with 8 heat shields

#### DEB400DT

Electronic flicker free ballast for daylight and tungsten discharge lamps.



#### DPOW400DT

Connection cable between Light Head and Power Supply



#### DEB400Hx2

Extending ballast holder for better balance

#### DLPA7G

40° grid for all Panaura® 7 Models



#### DSCPA7W

Panaura® 7 soft case with wheels



#### SPA7x2DT

Tungsten/Daylight Panaura® Kit

- robust soft case with wheels
- soft light head
- 2 x 400/575 W daylight lamps
- soft box with rods and baffle
- 2 types of inner diffusers
- 1 front diffuser
- 40° grid
- 2 ballasts, cable

optional:

- yoke extension
- variable ballast holder
- stands
- 575 W tungsten lamps (available soon)

## Pure Tungsten

### Variations of Panaura® 7

When you don't need daylight and the flexibility to change between daylight and tungsten (interchangeable lamps), you may want a pure halogen tungsten soft light.

Tungsten Panaura® light head DLHPA7x2T works with two 1000 W halogen lamps.

The DLHPA7x4T works with four 1000 W lamps (type DL1000FEP-NB / FEL-NB). The 4K version (4 lamps) requires a special textile reflector which can withstand the extra heat and provides extra air vents (DLPA7x4T).

All halogen lamps are individually switchable or can be dimmed individually with our new dimmers.



**DLHPA7x2T** Tungsten 2 x 1000 W

Soft Light Head for 2 Lamps 1000 W Halogen with protective glass tubes



**DLHPA7x4T** Tungsten 4 x 1000 W

Soft Light Head for 4 Lamps up to 1000 W Tungsten each, with protective glass tubes

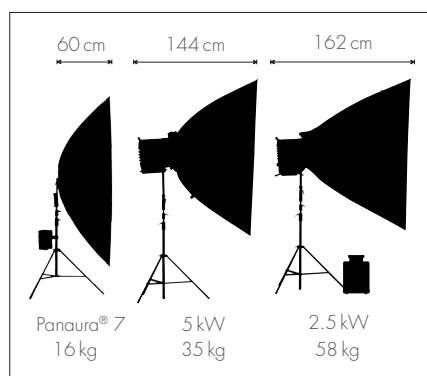


## Size, Depth, Weight

The Panaura® family comes in 3 sizes, all offer superb soft light character without any hot spot, and the choice of different inner diffusers allows smooth and even light distribution or the typical Panaura® look with the brighter rim towards the outside - the true loving, caressing wrap-around light character.

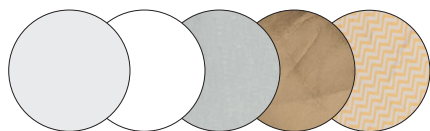
When working in confined areas the depth of the light head can make the decisive difference whether this wonderful, creative tool can be used at all. The very shallow depth of this portable window system offers distinct advantages in space consumption.

Also much less weight, higher light efficiency, lower heat, lower power consumption (never blow a household fuse).



## dedoflex MULTIDISC 5 IN 1

The MultiDisc 5 in 1 offers five reflector surfaces. Translucent, white, silver, gold, and soft gold in one easy to carry package. Switch surfaces in seconds.



- Translucent: Use to diffuse light. Produces a broad light source and soft effect.
- White: Use to reflect light with natural looking results.
- Silver: Use to increase specular highlights adding more contrast to your image.
- Gold: Use for a strong warming effect in your lighting
- Soft Gold: Use for natural looking, warmer reflected light. Soft Gold combines silver and gold in a zig-zag pattern for a warm, summery feel that works great with skin tones.

The heavy duty steel frame is guaranteed not to break for the life of the product. Reflector surfaces are smooth and flat for consistent, even reflections. The MultiDisc comes in its own protective, durable fabric case for storage and transport.



### DF5IN1-56

Small 56 cm (22")

### DF5IN1-81

Medium 81 cm (32")

### DF5IN1-106

Large 106 cm (42")



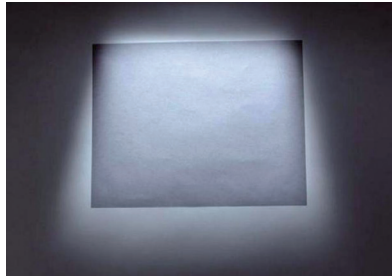
### DLTC Compact Disc Holder

The new compact holder for dedoflex reflectors and diffusers as well as for dedoflex 5 in 1 MultiDiscs. The holder consists of two parts and can be expanded from 71 cm/28" to a maximum of 127 cm/50". A 16 mm stud is provided for mounting accessories or light heads.

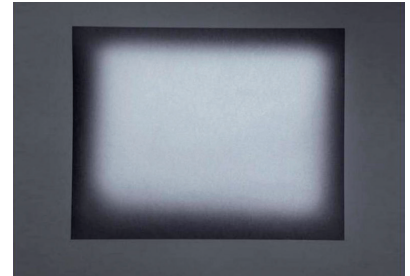
# WIDE EYE - NEW WIDE ANGLE OPTIONS

Enables focus range like no other light.

When light is pointed downward – even from an angle – rotating barn door leaves give parallel shadows, for the first time in lighting history



Your Rembrandt, lit with a traditional 8-leaf barn door (Many barn doors only have 4 leaves)



Our system turns the 'unavoidable' trapezoidal shadow edges into parallel shadows.



All focusing dedolights offer a focus range like no other lights worldwide.

New – a 30mm dedolight 'Eagle Eye' projection lens. A further masterpiece of our optical design department.

Adding the dedolight aspherical wide-angle attachment, the enormous focus range is further enhanced and still allows focusing.

These attachments are equipped with barn doors which are rotating (one of our patents).

dedolight focusing lights offer unprecedented focus range (change of beam angle).

Traditional small studio lights offer a focus range of 1:3. Some large studio fixtures reach 1:6 dedolights, even in the smallest versions, excel with a focusing range of 1:25. These figures refer to change of intensity, when focusing from flood to spot. At the same time, the variation of exit angle is changed from 60° to 4°. Such values are not obtainable for any other light. Adding the Wide-Eye attachment, the focusing range of the dedolight is further enhanced to a range of 1:55, and the exit angle from 4° to nearly 90°.

For video cameras, such aspherical, optical attachments are known, but nobody has ever built anything like it for the focusing lights.

Our Wide-Eye non-spherical, optical attachments are available in different sizes:

For classic lights, 200W Sundance lights as well as the DLED4

For Series 400, DLED9, Series 1200 and DLED12.

## Why do we need rotating barn door leaves?

All traditional barn door leaves can only be adjusted parallel to each other.

Isn't that amazing...practically most lighting situations work from an angle (usually from above) in which case the shadow edges of traditional barn door leaves will no longer show as parallel, but as a trapezoidal shape.

That is not the way our houses, rooms, doors and pictures are built. When rotating the barn door leaves of the dedolight (special barn doors like DBD2 and the barn door leaves on the wide-angle attachments) it enables you for the first time to light vertical and rectangular edges of objects with precision.

An exclusive step in the history of creative light-shaping for precision lighting.

- widen angle of exit up to 85° or 90°
- perfect light distribution
- minimum light loss
- continuously focusable
- always full control - these Wide Eye attachments work with 8 barn door leaves
- even better - the barn door leaves can rotate (another dedolight patent)



### DLWA

Wide-angle attachment for classic dedolight

### DLWAR

Wide-angle attachment with rotating barn door leaves for classic dedolight

### DLWA400R

Wide-angle attachment with rotating barn door leaves for series 400 lights

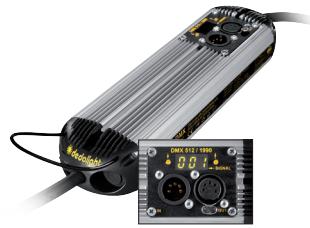


# HIGH TECH NOISELESS MosFET DIMMERS - ALSO WITH DMX



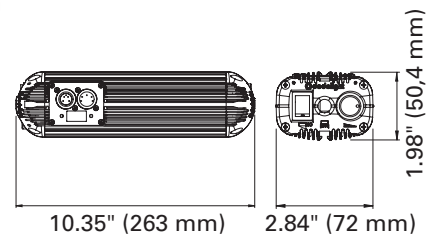
## DLDIM2000

240 V max. 2 kW  
120V max. 1 kW



## DLDIM2000-DMX

DLDIM2000 with integrated DMX control  
This dimmer can control many dedolight tungsten focusing and soft lights along with lights of other manufacturers up to 2 kW at 230-240 V or up to 1 kW at 100-120V. Since these DMX-controlled dimmers are noiseless, they can be mounted next to the light.



Mounting devices for attaching to pipes via clamps are available. As a result, many studios will be able to eliminate external dimmers which often generate noise and require a room of their own. Our high tech dimmers bridge the missing gap of DMX for all halogen studio lights.

## dedolights with integrated DMX Dimmers

Are used in many TV studios. Most Kinoflo lights can be DMX controlled. Other focusing lights are usually not DMX controllable. This is one of the reasons why our dedolight 150 W DMX controllable light heads (DLHM4-300DMX) which offer a light output similar to a traditional 500 W Fresnel, are used in many TV studios. Also our daylight light heads are DMX controllable.



150W light head with light output similar to traditional 500W Fresnels (DLHM4-300DMX)

The dedolight DLH400DT daylight fixture, with its DEB400DT ballast is also available with DMX control.



650W pole operated light head (DLH650PO-DMX)

Our new 1200 W daylight source (DLH1200D) and DEB1200D ballast are equipped with integrated DMX control as a standard.



1000W pole operated light head (DLH1000TPO-DMX)

## 12/24 V Inline Dimmer

Working with batteries, over voltage can occur quite frequently. As an example - professional video camera batteries which are nominally called 12 V batteries are no longer true 12 V versions but mostly 14.4 V - and when they are freshly charged they provide up to 17 V. The DLDIM-BAT dimmer solves this problem.



## DLDIM-BAT

The Classic dedolights work with 12V and /or 24V special low voltage lamps. These lamps offer the following advantages:

- extreme high light output for a halogen system with 40 lumen per Watt (standard high voltage halogen lamps only provide approximately 20 lumen per Watt)
- resistant to shock and vibration (which is definitely not a virtue of high voltage halogen lamps)
- drastically lower purchase cost (75% less)
- longer life expectancy
- BUT: All halogen lamps which offer very high light outputs are sensitive to over voltage.
- Switch the voltage selector to the 12V - DC position - Now you can feed up to 18V, but the maximum output voltage is limited to 11.8V. This is suitable for 12V - 20, 50, 75 and 100W lamps.
- Switch the voltage selector to the 24V - DC position - Now you can feed up to 36V, but the maximum output voltage is limited to 23.5V. This is suitable for 24V - 50, 100 and 150W lamps.
- The lamps will be gently started (soft start) when switched on.
- Recognition of defective or missing lamp (blink code with LED indicator)
- Short circuit and overload protection
- Smooth dimming range 3-100%
- Robust and small housing
- Low voltage cutoff at 10.2V respectively 20.4V for protection of batteries
- When input voltage is lower than 12V the maximum output (100%) cannot be reached. Similarly, in 24V mode the maximum is not possible when the input is below 24V

# BACKGROUND FX GLASS

To be used with our DP1S Imager (Ø 55 mm), DP1.1 (Ø 66 mm) and DP400 (Ø 100 mm) imagers. Background FX glass quickly change any flat, drab background into a stunning piece of set design.

With eleven different patterns and eight colors, dozens of effects can be created. Focusing and defocusing the pattern changes the mood.

Sandwich them together with standard metal gobos and you have an even wider choice.

All effects and colors are also available for the DP1S (Series DLED2) and the DP400 (Series 400) imager.

For the Series DLED2 is no separate Effect Glass Holder required.

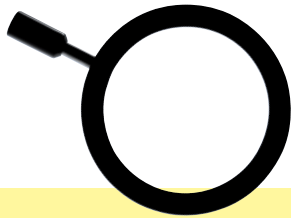


For our background effect filters / glasses we do NOT guarantee consistency of color and density.

Each pattern is available in 8 highly saturated dichroic colors:

Blue (B), Purple (P), Orange (O), Red (R), Magenta (M), Yellow (Y), Turquoise (T), Light Green (LG)

Sample order code: DFXST3-B = „Waffle“ blue – for Series DLED2  
 DFXT3-B = „Waffle“ blue – for Classic Series / DLED4 Series  
 DFX400T3-B = „Waffle“ blue – for Series 400 / DLED9 Series

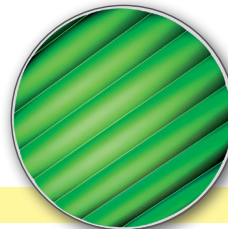


**DFXH**

Effect Glass Holder for Ø 66 mm (M size)

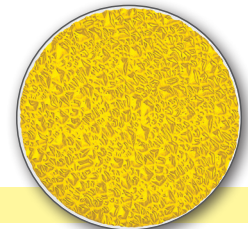
**DFX400H**

Effect Glass Holder for Ø 100 mm (A size)



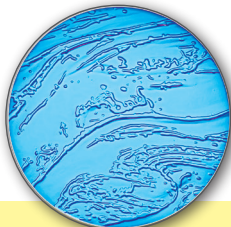
**DFXT4**

Effect Glass "Waves"



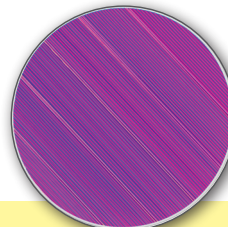
**DFXT8**

Effect Glass "Crystal"



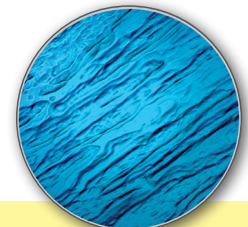
**DFXT1**

Effect Glass "Harmony"



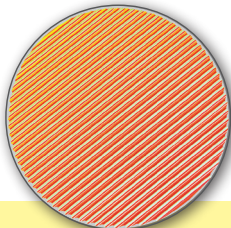
**DFXT5**

Effect Glass "Lamello"



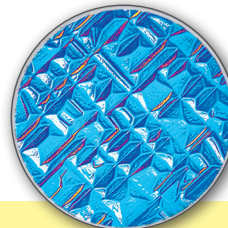
**DFXT9**

Effect Glass "Flow"



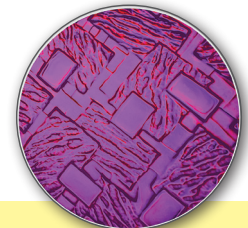
**DFXT2**

Effect Glass "Groove"



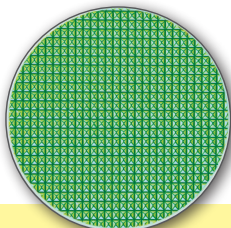
**DFXT6**

Effect Glass "Mystic Squares"



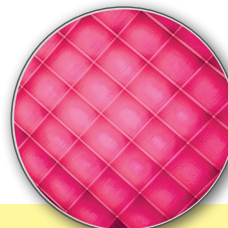
**DFXT10**

Effect Glass "Farrago"



**DFXT3**

Effect Glass "Waffle"



**DFXT7**

Effect Glass "Cakester"



**DFXT11**

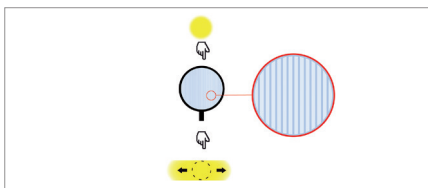
Effect Glass "Cells"



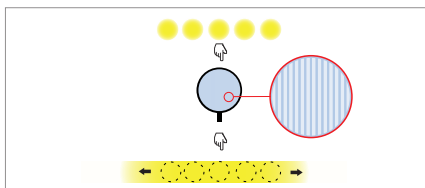
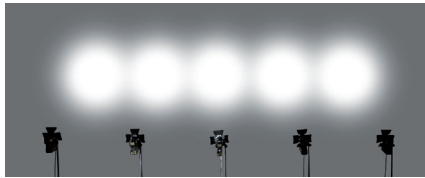
## HIGH TRANSMISSION – PRACTICALLY NO DIFFUSION

A special structure in a metal frame / holding ring – These unique light-shaping attachments spread the defined beam of the focusing dedolight in one direction. The orientation of the beam spread can be rotated.

### The effect on a dedolight:



### On multiple dedolights:

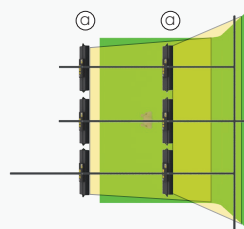
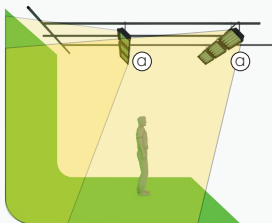


Can also be used for a combination of several dedolights in spot or medium focus position (all with equal focus and intensity settings – DMX), placed in parallel direction to achieve a uniform band of light.

Similar effects have always been possible on focusing studio lights or lights with a defined beam angle by adding a gel filter called "brushed silk". This is still valid, but will always produce a noticeable amount of diffusion at the same time as spreading the light beam in one direction.

With the unequalled dedolight and its clean beam concept, these directional beam spreaders DWAFX allow the spreading of the light without causing diffusion.

1

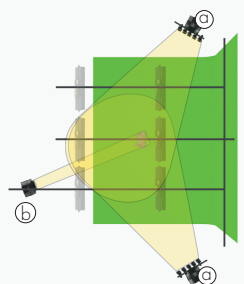
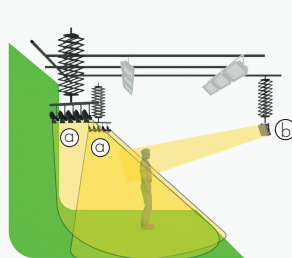


In virtual studios, great care is taken to light the green background and floor evenly and free of shadows.

1a This for example is lit with two rows of KinoFlo Image 80 lights. In most cases, the lighting on the lonely person in the green desert looks relatively sad and unstructured when shooting a medium shot or close-up in such situations. It rarely ever happens that the light on the person has anything to do with the lighting found in the virtual background.

## Use of DWAFX beam spreader for backlight and contour light in a virtual studio

2



Placing whole banks of parallel dedolights on both sides (2a), controlling each bank of the lights in an identical way by DMX control, the actor can be lit from the knee upward without causing any noticeable shadows on the green floor. Even if the dedolights are placed in such a way that they are looking downward at a moderate angle, the shadows can be projected to fall outside of the 'action area'.

Also adding an extra light source (2b) to bring some life to the eyes, it is possible to adapt the lighting to closely match the virtual background.

Eventually we will have some videos explaining different approaches for lighting methods for virtual studios.

- For tungsten use dedolights DLHM4-300DMX or DLH650DMX
- For daylight use dedolights DLED4-D or DLED9-D
- For controlled changes of color temperature for back light and contour light use bicolor versions of DLED4SE-BI-DMX or DLED9SE-BI-DMX

These orientable DWAFX attachments / filters are available in 3 sizes for focusing dedolights.

For classic dedolights (Code DWAFX), e.g. DLH4, DLHM4-300, DLH200DT, as well as the new focusing LED lights DLED4.

For the Series 400 (Code DWAFX400), suitable for dedolight heads DLH400DT, DLH650, DLH652T and DLH436, as well as the new DLED9.

For the Series 1200 (Code DWAFX1200), fitting DLH1200, DLH1000T, as well as DLED12.

# SLIDE PROJECTIONS FOR STUNNING EFFECTS AND TEACHING LIGHTING SETUPS FOR VIRTUAL STUDIOS

## For classic dedolight

DP3.1 imager/projection attachment  
Use with DLH4, DLHM4-300, DLH200DT and DLED4 Series lights for gobo and slide projection.

Choice of projection lenses:  
30, 50, 60, 85, 150 and 185 mm, as well as two zoom lenses 70-120 mm and 85-150 mm.



DP3.1

With the slide holding attachments which are available for all series of dedolight, slides can be projected.

Usually this wants to be done from an angle, so that the person in front of such a projection will not be touched by the light from the slide projection. This can be done from an angle of 45° or 30°.

Maintaining equal focus from left to right can be achieved by the adjustment of the image plane in our projection devices (left-right as well as up-down).

## For light heads of Series 400

For DLH400DT, DLH650 and also the new DLED9, 90 W light you can use DP400 imager / projection attachment with slide projection



DP400SHA

## For our larger lights

The DP400 imager/projection attachment in combination with a DP1200CON or DP1200CON-WA condenser module may be used with the DLH1200 metal halide light head as well as the DLED12 focusing LED light head.

**DP1200CON** - Standard  
For lenses 150 mm, 185 mm and 230 mm focal length (also possible with 100 mm)

**DP1200CON-WA** – Use for wide-angle projection lenses 70 mm and 100 mm (150 mm is also possible)



in focus



slide projection out of focus

The background will always appear in focus when using cameras with a small sensor and short focal length lens. Sometimes the effect of a greater separation or space can be achieved by throwing the projected background out of focus – easily done by defocusing the projection lens on our imager.

If further refinement of such effects is wanted, e.g. on a landscape setting, this is possible (by virtue of our moving image plane in the imager) so that the foreground (e.g. the lower part of the image) can be kept in focus, whilst half or two-thirds of the upper image on the projected background can drift out of focus, again creating the illusion of greater depth.

This is also a subject which we will describe in one of our future videos, to show how easy such effects can be achieved.

For the projections of 45° or 30° angle we usually distort the slides in the computer before printing them, and then they will distort on the background onto which the slides are projected so that parallel horizontal description can be maintained. Such slide projections can be used as an easy background projection without the hazards of disturbing reflections from green or blue backgrounds. This may occur when there is not enough space between the talent and the green or blue background.

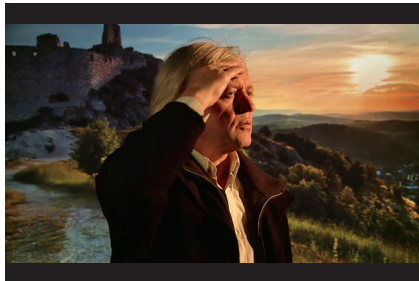


No distortion

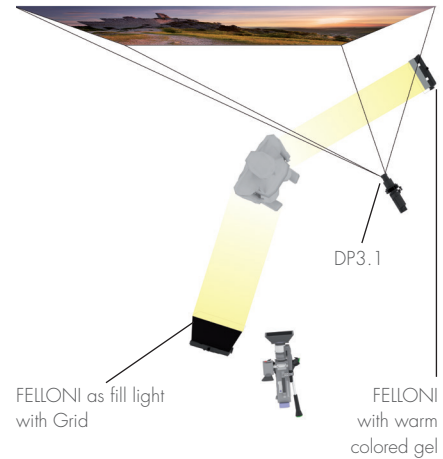


Distorted slide for 30° or 45° projection

To teach lighting for virtual studios, a slide projection can be a wonderful tool. In the same view for the eye, as well as the camera, the projected background image appears at the same time as you can see the setting of the lighting on the talent. Trying to match the lighting on the talent with the character of the lighting in the background is often easily achieved, sometimes aided by the addition of color effect filters.



For the aspiring media student this can be a great learning experience, also for choosing suitable light sources to make the lighting on the talent melt in a natural way into the virtual background (Visibly projected background), and still separate the talent by lighting from the background.



FELLONI as fill light with Grid

DP3.1

FELLONI with warm colored gel

## Which slide formats to use for classic dedolight

When you are projecting onto a background, you will not want to see this projection on a person in front of the projected background. Therefore you will place the projector 30 degree (or 45 degree) away from camera axis. With our slide projections, we can adjust the image plane (in 2 axis) and control focus even for projection from an angle.

But we will create key stoning – the projected image will appear distorted.

To compensate key stoning / distortion when projecting from an angle, we pre-distort the images in the adverse direction (in Photoshop). Then the projected image will be displayed without distortion.

Today many backgrounds are created with green screen technology – slide projections occasionally offer an interesting alternative. Even if in the end you will use green screen, the slide projection offers a perfect and direct exercise for matching the lighting on the talent with the character of light in the background.

## Our slide projectors come in 2 versions.

### DP3.1

A complete unit for the classic dedolights DLH4, DLHM4-300, DLH200DT (see page 38) for use with modified 35 mm slide frames (free window 35 mm wide, 32 mm high). Order code: **DPSFD**

For projection with 85 mm lens from 30 degree angle, distort top and bottom with 3.4 degree (image height will be 32 mm and 25.5 mm left/right)

### DP400SHA

Module for our larger DP400 imager/projector (see page 38). Uses regular slide frames 2 1/4 x 2 1/4 (60 x 60 mm). Order code: **DP400SF**

For projection with 150 mm lens from 30 degree angle, distort top and bottom by 5.7 degree, resulting in image height 60 mm and 48 mm (left/right)

## Service for slide production with your own images

Using your own images – depending on the application – you may want to make sure that you are in possession of the rights to these images. Transmit the images to us and we can take care of suitable pre-distortion, developing and framing.

Order code: **DPSCD** (for **DP3.1**)

Order code: **DP400SCD** (for **DP400SHA**)

It is best to use slide frames with no protective glasses.

It may be advisable to have several duplicates made, if you want to use the same slide image for a longer period.





### Dedo Weigert Film GmbH

Karl-Weinmair-Straße 10  
D-80807 Munich, Germany  
Phone: +49-(0)89-356 16 01  
Fax: +49-(0)89-356 60 86

info@dedoweigertfilm.de  
www.dedoweigertfilm.de  
www.youtube.com/user/dedoweigertfilm



### DEDOTEC USA, INC.

48 Sheffield Business Park  
Ashley Falls, MA 01222  
Phone: +1 (413) 229-2550  
Fax: +1 (413) 229-2556

www.dedolight.com  
E-mail: info@dedolight.com