

MKH 40 P 48

Microphones | RF Symmetrical Capsule Condenser Microphone

Cat. No. 002645

General Description

The cardioid MKH 40 has a large number of applications, for example as a main microphone, especially in lightly reverberant or acoustically less perfect rooms, with instrumental groups or for speech applications. Its wide-angled, neutral directional characteristics and high level of reverse attenuation ensure an exceptionally balanced sound.



Cable pictured is an accessory not supplied with the microphone

Features

- Maximum front-to-back ratio
- Exceptionally low inherent self-noise
- Symmetrical transducer technology ensures extremely low distortion
- Transformerless and fully floating balanced output
- Switchable roll-off filter to compensate for proximity effects at a distance of approx. 0.5 m
- Switchable pre-attenuation
- Black, anodised light metal body
- Delivery includes: 1 MKH 40, 1 MZS 40 shock mount, 1 MZW 41 windshield

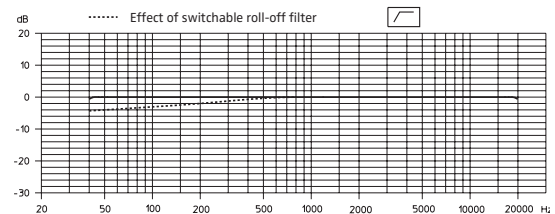
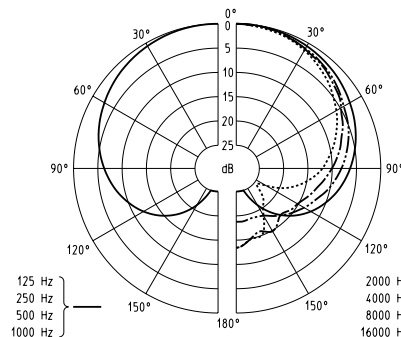
Recommended Accessories

- MZA 14 P 48 U battery power supply unit Cat. No. 002960
- MZT 441 table stand Cat. No. 000799
- MZT 100 table stand Cat. No. 001883
- MZD 30 dual clip, for MS stereo Cat. No. 002990
- MZB 415 fish pole Cat. No. 000972
- MZS 40 shock mount Cat. No. 003017
- MZW 41 foam windshield Cat. No. 029681
- MZP 40 popshield Cat. No. 003132
- MZS 20-1 shock mount Cat. No. 003609
- MZW 20-1 basket windshield Cat. No. 003606
- MZH 20-1 hairy cover Cat. No. 003610

Technical Data

Pick-up pattern	cardioid
Frequency response	40 – 20,000 Hz
Sensitivity (free field, no load, 1 kHz)	25 (8) mV/Pa ± 1dB
Nominal impedance	150 Ω
Min. terminating impedance	1 kΩ
Equivalent noise level	
A-weighted (DIN IEC 651)	12 (18) dB
CCIR-weighted (CCIR 468-3)	21 (27) dB
Max. sound pressure level	134 (142) dB at 1 kHz
Power supply	phantom 48 ± 4 V
Supply current	2 mA
Dimensions	∅ 25 x 153 mm
Weight	approx. 100 g

Values in parentheses with attenuator switched on (-10 dB)



Profile

Cardioid studio directional microphone with switchable pre-attenuation and switchable roll-off filter. Frequency response 40 Hz – 20,000 Hz, sensitivity (free field, no load) 25 (8) mV/Pa ± 1dB at 1 kHz, nominal impedance 150 Ω, min. terminating impedance 1 kΩ, equivalent noise level A-weighted 12 (18) dB, CCIR-weighted 21 (27) dB, max. SPL 134 (142) dB at 1 kHz, phantom powering 48 ± 4 V, supply current 2 mA, dimensions ∅ 25 x 153 mm, weight approx. 100 g. Values in parentheses with attenuator switched on (-10 dB).