

SONY



HXR-NX100

1.0-type CMOS Compact Solid-State Memory Camcorder

This compact handheld NXCAM professional camcorder bring benefits of 1.0 type sensor technology and high operability with 3 independent manual lens rings in its easy-to-use body to a wider professional market.

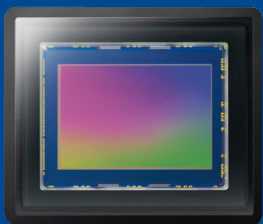
The Grand One

1.0-type Exmor® R CMOS Sensor for stunning picture quality

Sony's unique 1.0-type Exmor R back-illuminated CMOS sensor which is approximately the same size as a Super 16mm film frame, delivers high resolution and fantastic low light performance, as well as offering more depth of field control as demanded by today's diverse shooting requirements. High sensitivity and fantastic resolution with 20 mega pixels*1 delivers striking detail and colours, with minimum illumination 1.7 lux*2.

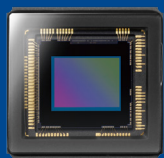
*1 14.2 million effective pixels *2 1/25 second shutter speed, Iris and gain Auto.

1.0-type Sensor



13.2 mm x 8.8 mm

1/2.3-type Sensor



5.9 mm x 4.4 mm

1/3-type Sensor



4.8 mm x 3.6 mm

Maximum 48x zoom for wide range shooting

The Sony G lens offers a 12x Optical Zoom from 29mm angle of view at wide end, which can be increased to 24x with Clear Image Zoom while retaining full resolution thanks to By Pixel Super Resolution Technology. Zoom performance can be doubled at any point with a Digital Extender up to 48x.

Three independent manual lens rings, built-in 4-step ND filter and other professional functions

3 Manual lens rings ensure intuitive control of zoom, focus and iris. The HXR-NX100 is equipped with 4 step conventional mechanical ND filter positions (Clear, 1/4ND, 1/16ND and 1/64ND) for better exposure and depth of field control in bright scene, 0.24 type 1550K dots EVF and 3.5 type 1550K dots LCD for easy monitoring.

Dual media slots for recording flexibility

Two memory card slots enable various recording options such as backup, simultaneous, relay and independent recording. "SIMUL" mode permits simultaneous recording to two memory cards, while "RELAY" mode automatically switches recording from the first to the second memory card when the first is full. The user can also use buttons on the camcorder to independently start and stop recording on different memory cards.

Wide choice of connections

The NX100 provides a wide variety of connectivity options including HDMI, Multi/Micro USB, XLR terminals, REMOTE, Composite (BNC) and Multi Interface (MI) Shoe, which allows for a wide range of accessories without the need for cables, such as the HVL-LBPC Video Light and the UWP-D wireless microphone series.

Breadth of recording format capabilities

The NX100 provides multiple choices including AVCHD and DV which are suitable for conventional workflow, and newly implemented XAVC S 50Mbps, which realizes better image quality for professional needs.



4-Step ND filter (Clear, 1/4ND, 1/16ND, 1/64ND)

Iris ring

Zoom ring

Focus ring

0.24 type 1550K dots EVF

AUDIO INPUT (XLR x 2)

VIDEO OUT, Composite (BNC)

Dual Memory card slots

AUDIO OUT (RCA)

Headphone OUT

HDMI OUT

REMOTE

DC IN

MULTI/MICRO USB

Specifications

| HXR-NX100 | |
|--------------------------|---|
| General | |
| Mass | Approx. 1900 g (4 lb 3 oz) (body) Approx. 2100 g (4 lb 10 oz) (with lens hood, eyecup, NP-F770 battery) |
| Dimensions (W × H × D)** | 171.3 × 187.8 × 371.3 mm (6 3/4 × 7 3/8 × 14 5/8 inches) (With the accessories (lens hood, large eyecup), excluding the grip belt and including the projecting parts) |
| Power Requirements | DC In: 8.4 V Battery: 7.2 V |
| Power Consumption | Approx. 5.8 W (while recording with viewfinder and XAVC S HD 1080/50/50 Mbps) Approx. 6.0 W (while recording with LCD and XAVC S HD 1080/50/50 Mbps) |
| Operating Temperature | 0°C to 40°C (32°F to 104°F) |
| Storage Temperature | -20°C to +60°C (-4°F to +140°F) |
| Battery Operating Time | Approx. 315 min. with NP-F770 battery (while recording with LCD, XAVC S 1080/50/50 Mbps) Approx. 525 min. with NP-F770 battery (while playing with LCD, XAVC S 1080/50/50 Mbps) |
| Recording Format (Video) | XAVC S HD: MPEG4-AVC/H264 4:2:0 Long profile AVCHD: MPEG-4 AVC/H.264 4:2:0 format compatible DV |
| Recording Format (Audio) | XAVC S HD: Linear PCM 2ch, 24-bit, 48 kHz AVCHD: Linear PCM 2ch, 16-bit, 48 kHz / Dolby Digital 2ch, 16-bit, 48 kHz DV: Linear PCM 2ch, 16-bit, 48 kHz |
| Recording Frame Rate | XAVC S (1920 × 1080)@50p, 25p, 50 Mbps AVCHD (1920 × 1080)@50p, PS mode (28 Mbps) AVCHD (1920 × 1080)@50/25p, FX mode (24 Mbps), FH mode (17 Mbps) AVCHD (1440 × 1080)@50i, HQ mode (9 Mbps), LP mode (5 Mbps) AVCHD (1280 × 720)@50p, FX mode (24 Mbps), FH mode (17 Mbps), HQ mode (9 Mbps) DV (720 × 576)@50i, 25 Mbps |
| Recording | XAVC S HD@LPCM 2ch 50 Mbps Approx. 155 min with 64 GB memory card *SDXC Memory Card is needed for recording XAVC-S AVCHD@LPCM 2ch PS Mode Approx. 290 min with 64 GB memory card Approx. 145 min with 32 GB memory card AVCHD@LPCM 2ch FX Mode Approx. 340 min with 64 GB memory card Approx. 170 min with 32 GB memory card AVCHD@LPCM 2ch FH Mode Approx. 450 min with 64 GB memory card Approx. 225 min with 32 GB memory card DV Approx. 280 min with 64 GB memory card Approx. 140 min with 32 GB memory card |
| Lens | |
| Lens Mount | Fixed |
| Zoom Ratio | 12x (optical), servo |
| Focal Length | f = 9.3 - 111.6 mm equivalent to f = 29.0 - 348.0 mm on 35 mm lens (16.9) equivalent to f = 35.5 - 426.0 mm on 35 mm lens (4.3) |
| Iris | F2.8 - F4.5 auto/manual selectable |
| Focus | AF/MF selectable, 10 mm to ∞ (Wide), 1000 mm to ∞ (Tele) |
| Image Stabilizer | ON/OFF selectable, shift lens |
| Filter Diameter | M62 mm |

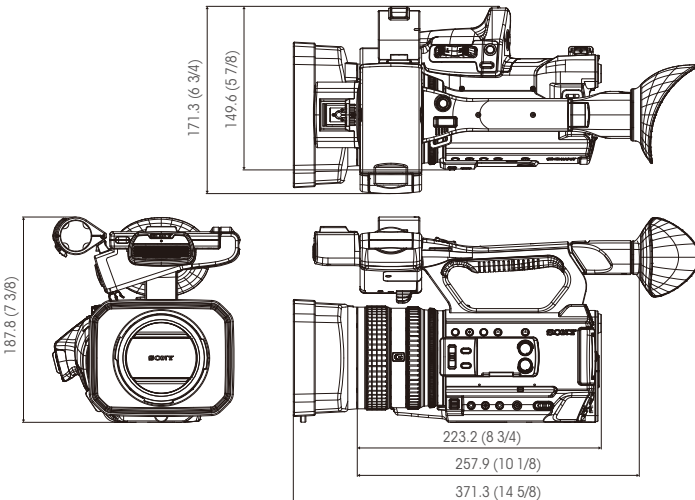
| HXR-NX100 | |
|------------------------------|--|
| Camera Section | |
| Imaging Device (Type) | 1.0-type (13.2 mm × 8.8 mm) back-illuminated Exmor R CMOS sensor |
| Effective Picture Elements | Approx. 14.2 M pixels (16:9)/Approx. 10.6 M pixels (4:3) |
| Built-in Optical Filters | OFF: Clear, 1: 1/4ND, 2: 1/6ND, 3: 1/64ND |
| Minimum Illumination | [50i] 3 lux (1/50 Shutter Speed, iris/gain AUTO) [50i] 1.7 lux (1/25 Shutter Speed, iris/gain AUTO) |
| Shutter Speed | [50i] 1/6 - 1/10,000 |
| Slow & Quick Motion Function | [50i] 1080p: Frame rate selectable 1.2, 3.6, 12.25, 50 fps |
| White Balance | Preset (Indoor: 3200K, Outdoor: 5600K±7 steps, Color temperature set range: 2300-15000K), Onepush A, B, Auto selectable |
| Gain | -3, 0, 3, 6, 9, 12, 15, 18, 21, 24, 27, 30, 33 dB, AGC |
| Gamma Curve | Selectable |
| Input/Output | |
| Audio Input | XLR-type 3-pin (female) (x2), line/mic/mic+48 V selectable |
| Video Output | BNC (x1), Composite 1.0Vp-p, 75 Ω |
| Audio Output | RCA pin |
| SDI Output | - |
| USB | Multi/Micro USB jack (x1) |
| Headphone Output | Stereo mini jack (x1) |
| Speaker Output | Monaural |
| DC Input | DC jack |
| Remote | Stereo mini mini jack (x1) |
| HDMI Output | Type A (x1) |
| Monitoring | |
| Viewfinder | 0.6 cm (0.24 type), Approx. 1.56 M dots. |
| LCD | 8.8 cm (3.5 type), Approx. 1.56 M dots. |
| Built-in Microphone | |
| | Omni-directional stereo electret condenser microphone. |
| Media | |
| Type | Memory Stick Pro Duo™ and SD/SDHC/SDXC compatible (x1), SD/SDHC/SDXC (x1) |
| Wi-Fi/NFC | |
| Supported Format | - |
| Frequency Band | - |
| Security | - |
| NFC | - |
| Streaming | - |
| FTP | - |
| Supplied Accessories | |
| | Charger (1), Lens hood (1), Lens cap (1), Large eyecup (1), Shoe cap (1), USB cable (1) Rechargeable battery pack (NP-F770) (1), AC Adaptor (AC-L100C) (1), Power cord (mains lead) (1) Wireless Remote Commander (RMT-845) (1), Lithium battery (CR2025 for the Wireless Remote Commander, pre-installed to the Wireless Remote Commander) (1), Operating Guide (2), CD-ROM (1), Warranty (1) |

*1 The values for dimensions are approximate.

Available Accessories

| | | | | | | |
|--|--|--|--|---|--|--|
|  2NP-F970/B Rechargeable Battery Pack |  ACC-L1BP AC Adaptor/Charger/Battery Kit |  HLV-LBPC LED Battery Video Light |  UWP-D11/UWP-D12 Wireless Microphone Package |  SMAD-P3 MI Shoe Mount Adaptor * required for cable-free operation with UWP-D11/UWP-D12 |  ECM-VG1 Electret Condenser Microphone |  ECM-MS2 Electret Condenser Microphone |
|  VCL-HG0872K Wide Conversion Lens |  SF-128UX2 (128 GB, 64 GB) SDXC Memory Card |  SF-32UX (32 GB, 16 GB, 8 GB) SD/SDHC Memory Card |  MS-HX32B (32 GB, 16 GB, 8 GB) Memory Stick PRO-HG Duo™ |  RM-1BP Remote Commander |  LCS-G1BP Soft Carrying Case |  LCS-BP1BP Soft Carrying Case |

Dimensions



Unit: mm (inches)

MK20011V10HB15MAY

©2015 Sony Corporation. All rights reserved.
 Reproduction in whole or in part without written permission is prohibited.
 Features and specifications are subject to change without notice.
 The values for mass and dimension are approximate.
 Sony and Sony logo are trademarks of Sony Corporation.
 Memory Stick and their respective logos are trademarks of Sony Corporation.
 AVCHD and AVCHD logo are trademarks of Panasonic Corporation and Sony Corporation.
 XDCAM, XAVC and their respective logos are trademarks of Sony Corporation.
 All other trademarks are the property of their respective owners.

Distributed by