

# Fluid heads of the next generation

## FSB 2 / FSB 6 / FSB CELL

works with  
**SOOM**



sachtler

*ideas in motion*

fluid heads

tripods

pedestals

lighting

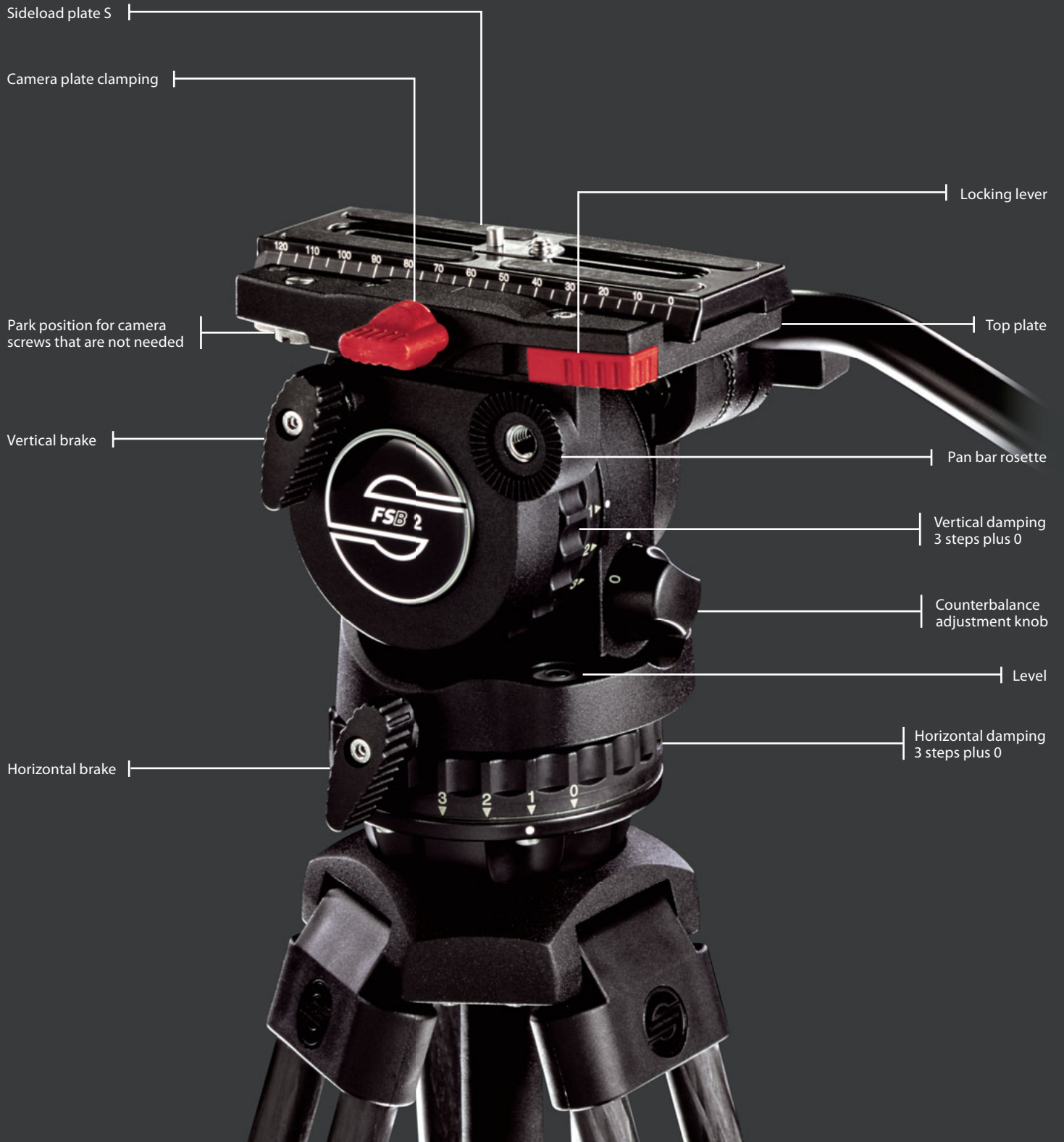
studio

cranes

remote heads

camera stabilizing systems

# FSB 2



# FSB 6 and FSB CELL



# FSB 6T



SOMMER KOMMUNIKATION & SEITZINGSPRES.COM

Sachtler offers the choice of two FSB 6 fluid head versions: either the standard version with side-load plate S, or as FSB 6 T with the Touch & Go® camera plate.

Touch & Go® camera plate

Park position for camera screws that are not needed



**Munich**  
**Beijing**  
**Middle East**  
**Moscow**  
**New York**  
**Paris**  
**Singapore**  
**Tokyo**

phone + 49 89 321 58 200  
phone + 86 10 8528 8748  
phone + 965 96 32 008  
phone + 7 495 744 1513  
phone + 1 845 268 0100  
phone + 33 1 4132 3041  
phone + 65 6297 5776  
phone + 81 3 5457 1381

contact@sachtler.de  
rick.xin@vitecgroup.com  
ahmad.nana@vitecgroup.com  
dietereger52@aol.com  
info-cd-usa@vitecgroup.com  
michele.esteve@vitecgroup.com  
info-cd-singapore@vitecgroup.com  
info@sachtler.co.jp

[www.sachtler.com](http://www.sachtler.com)

  
**sachtler**

*ideas in motion*

# Technical specifications

## Fluid head *FSB 2*

## Fluid head *FSB 6*

**Sensitive, fast and robust – small heads for awesome shots:** Perfectly designed for all users of MiniDV and (H)DV cameras, Sachtler's new fluid heads have payloads ranging from 0 to 2 kg / 0 to 4.4 lb (*FSB 2*) and 1 to 6 kg / 2.2 to 13.2 lb (*FSB 6*). The *FSB 6* is the only in its class to feature Sachtler's Snap & Go sideload mechanism which boasts an exceptionally large sliding range of 120 mm / 4.7" and 10-step counterbalance. This ensures extremely fine and fast balancing. Alternatively, the head is also available with the classic Touch & Go® camera plate. The smaller *FSB 2* offers counterbalance settings of 1 and 0, while both fluid heads have three horizontal and three vertical grades of drag plus 0. No compromises have been made with regard to the damping, which is based on the same construction principles as the „large“ heads.

	<i>FSB 2</i>	<i>FSB 6</i>	<i>FSB 6 T</i>
Order code	0207	0407	0405
Weight	1.85 kg / 4.1 lb	2.0 kg / 4.4 lb	2.15 kg / 4.1 lb
Payload	0 – 2 kg / 0 – 4.4 lb	1 – 6 kg / 2.2 – 13.2 lb	1 – 6 kg / 2.2 – 13.2 lb
Balance plate sliding range	120 mm / 4.7"	120 mm / 4.7"	60 mm / 2.35"
Counterbalance	2-step	10-step	10-step
<b>Damping</b>			
Horizontal	3 + 0 steps	3 + 0 steps	3 + 0 steps
Vertical	3 + 0 steps	3 + 0 steps	3 + 0 steps
Tilt range	+90/-70°	+90/-70°	+90/-70°
Temperature range	-40 to +60° C / -40 to +140° F	-40 to +60° C / -40 to +140° F	-40 to +60° C / -40 to +140° F
Camera fitting	Sideload plate S	Sideload plate S	Touch & Go® plate S
<b>Tripod / Pedestal fitting</b>			
Bowl / Flat base	75 mm / integrated	75 mm / integrated	75 mm / integrated
<b>Pan bar DV right / left</b>			
Type / Number / Telescopic	DV 75 / 1 / —	DV 75 / 1 / —	DV 75 / 1 / —
Attachment front / back / handle	Ø 16 / — / 28 mm	Ø 16 / — / 28 mm	Ø 16 / — / 28 mm
Length	430 mm / 16.9"	430 mm / 16.9"	430 mm / 16.9"
Level	Standard	Self-illuminating Touch Bubble	Self-illuminating Touch Bubble
Battery	—	1 x CR 2032	1 x CR 2032
<b>Accessories (Order codes)</b>			
Pan bar DV right / left	3470 / 3471	3470 / 3471	3470 / 3471
<i>FSB</i> PowerSet incl. cable adapter	0780	0780	—
Adapter 75/100	3906	3906	3906
C. O. G. plate DV	—	—	1465
Adapter viewfinder extension	—	3982	3982
Accessory adapter (1/4", 3/8", M8)	—	3985	3985
Accessory adapter with clamping (1/4", 3/8", M8)	—	3986	3986



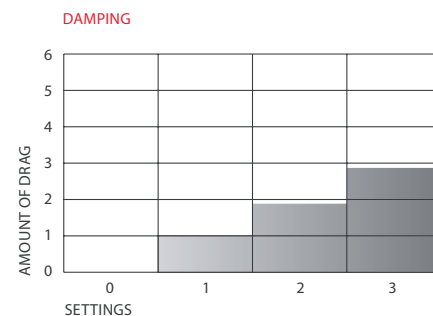
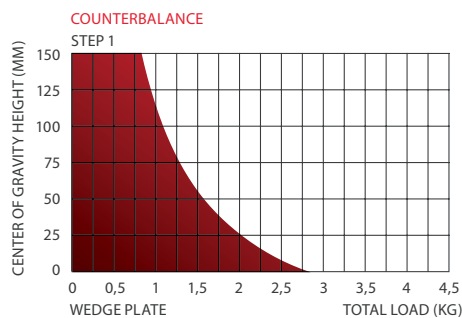
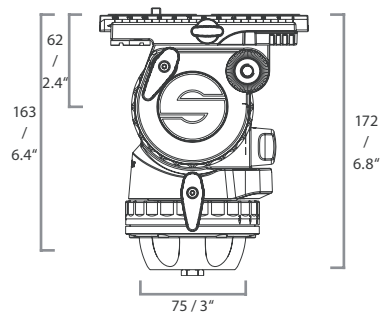
Sachtler's new fluid heads *FSB 2* and *FSB 6* and the *FSB CELL* are all components of the SOOM modular construction system. To find out more about these and other combinations of Sachtler tripods, visit [www.sachtler.com](http://www.sachtler.com) or see the separately published overview of all available systems.



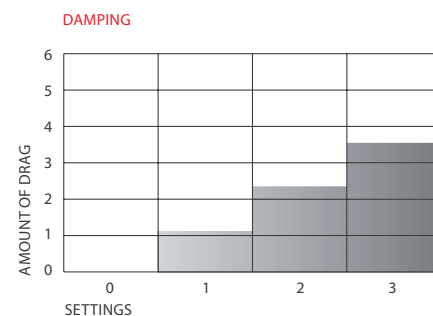
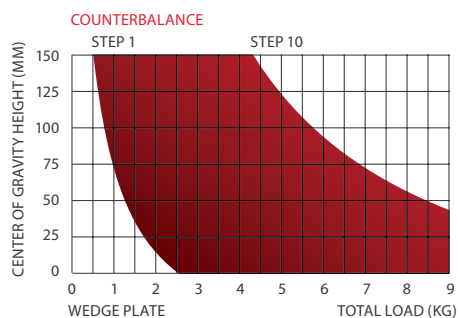
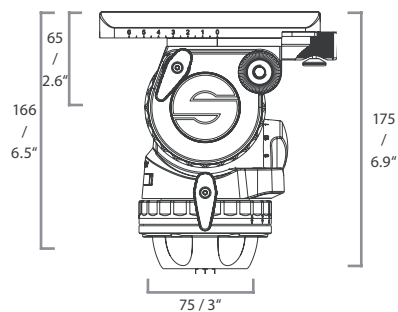
**sachtler**

*ideas in motion*

## Fluid head *FSB 2*



## Fluid head *FSB 6 / 6T* (Dimensional sketch shows *FSB 6 T*)



## Battery *FSB CELL*

**Revolutionary concept in rechargeable batteries for MiniDV and (H)DV cameras:** Power meets professional camera support. The ultra-high performance *FSB CELL* is a 7.2 volt lithium-ion battery for MiniDV and (H)DV cameras that loads directly under the camera. Shaped like a camera plate, the battery's underside fastens perfectly onto the fluid head, ensuring secure locking. The battery's weight (0.65 kg / 1.4 lb) is positioned directly over the fluid head. This optimizes camera control, by acting neutrally when balancing the camera. The result is added stability and uniform, smooth camera pans.

	<b><i>FSB CELL</i></b>	<b><i>FSB CELL</i> Charger</b>
Order code	0781	0782
Weight	0.65 kg / 1.4 lb	0.4 kg / 0.9 lb
Input voltage		90 – 250 V AC
Input frequency		50 – 60 Hz
Nominal capacity	10.5 Ah	
Nominal voltage	7.2V	
Low discharge voltage	5.4 V	
<b>Temperature range</b>		
Charging temperature	+10 to +40° C / +50 to +104 °F	+10 to +40° C / +50 to +104 °F
Operating temperature	-20 to +60° C / -4 to +140° F	
Dimensions	18 x 9 x 4.5 cm / 7.1" x 3.5" x 1.8"	13.5 x 8 x 5.5 cm / 5.3" x 3.15" x 2.2"
cable adapter (order codes)	0785 (Sony I), 0786 (Sony II), 0787 (Canon), 0788 (Panasonic)	

The systems with  
the small heads and the  
awesome shots:  
*FSB 2 / FSB 6 / FSB CELL*



**sachtler**

*ideas in motion*

# The *FSB* systems at a glance



## Tripod DA 75 long

single-extension aluminium tripod including spreader SP 75 and padded bag DV 75 L



## Tripod ENG 75 / 2 D

double-extension aluminium tripod including spreader SP 75 and padded bag DV 75 S



## Tripod DA 75 long

single-extension aluminium tripod including set mid-level spreader 75 and padded bag DV 75 L



## Tripod ENG 75 / 2 D

double-extension aluminium tripod including set mid-level spreader 75 and padded bag DV 75 S



## Tripod Speed Lock® 75 CF

double-extension carbon fiber tripod including set mid-level spreader 75 and padded bag DV 75 S

## FSB 2



### System *FSB 2*

order code 0270

#### PowerSet

Sony I	0270B-785
Sony II	0270B-786
Canon	0270B-787
Panasonic	0270B-788

### System *FSB 2 / 2 D*

order code 0271

#### PowerSet

Sony I	0271B-785
Sony II	0271B-786
Canon	0271B-787
Panasonic	0271B-788

### System *FSB 2 MD*

order code 0272

#### PowerSet

Sony I	0272B-785
Sony II	0272B-786
Canon	0272B-787
Panasonic	0272B-788

### System *FSB 2 / 2 MD*

order code 0273

#### PowerSet

Sony I	0273B-785
Sony II	0273B-786
Canon	0273B-787
Panasonic	0273B-788

### System *FSB 2 SL MCF*

order code 0275

#### PowerSet

Sony I	0275B-785
Sony II	0275B-786
Canon	0275B-787
Panasonic	0275B-788

### Systems

*FSB* fluid head + tripod + spreader + padded bag





**FSB 6**



**FSB 6 T**

**System FSB 6**

order code 0470

**PowerSet**

Sony I	0470B-785
Sony II	0470B-786
Canon	0470B-787
Panasonic	0470B-788

**System FSB 6 T**

order code 0440

**System FSB 6 / 2 D**

order code 0471

**PowerSet**

Sony I	0471B-785
Sony II	0471B-786
Canon	0471B-787
Panasonic	0471B-788

**System FSB 6 T / 2 D**

order code 0441

**System FSB 6 MD**

order code 0472

**PowerSet**

Sony I	0472B-785
Sony II	0472B-786
Canon	0472B-787
Panasonic	0472B-788

**System FSB 6 T MD**

order code 0442

**System FSB 6 / 2 MD**

order code 0473

**PowerSet**

Sony I	0473B-785
Sony II	0473B-786
Canon	0473B-787
Panasonic	0473B-788

**System FSB 6 T / 2 MD**

order code 0443

**System FSB 6 SL MCF**

order code 0475

**PowerSet**

Sony I	0475B-785
Sony II	0475B-786
Canon	0475B-787
Panasonic	0475B-788

**System FSB 6 T SL MCF**

order code 0450

**PowerSet**

**FSB system + FSB CELL + FSB CELL charger + cable adapter**

Compatible with cameras from **Sony I:** PD 100/150/170, DCRVX2000/2100, HDR-FX7 **Sony II:** HVR-Z1U/E, HVR-V1U/E, HDR-FX1 **Canon:** XH-A1/G1, XL-H1, XL1/2, XM2 **Panasonic:** AG-HVX200, AJ-DVX100/100A/100B, DVC80/30.



**sachtler**

*ideas in motion*

**Munich** phone +49 89 321 58 200  
**Beijing** phone +86 10 8528 8748  
**Middle East** phone +965 96 32 008  
**Moscow** phone +7 495 744 1513  
**New York** phone +1 845 268 0100  
**Paris** phone +33 1 4132 3041  
**Singapore** phone +65 6297 5776  
**Tokyo** phone +81 3 5457 1381

contact@sachtler.de  
rick.xin@vitecgroup.com  
ahmad.nana@vitecgroup.com  
dietereger52@aol.com  
info-cd-usa@vitecgroup.com  
michele.esteve@vitecgroup.com  
info-cd-singapore@vitecgroup.com  
info@sachtler.co.jp

[www.sachtler.com](http://www.sachtler.com)



**sachtler**

*ideas in motion*