

 **dedolight**®

PRECISION LIGHTING INSTRUMENTS



NEWS 04 2012

DEDO AND COMPANY



My name is Dedo.

I am a cameraman/Director of Photography. I've shot documentaries, commercials, art films, features and theatre plays in over forty countries. I am also a high speed film and video specialist. Today, dedolight is widely known and acclaimed for precision lighting instruments. I am very proud of my unique team at dedolight. No manufacturer in our field has as many experienced, recognized and practicing Directors of Photography as we do.

We listen to and enjoy the dialogue with some of the best known cinematographers

shooting multi-million dollar blockbusters as well as the intensely creative small crews who shoot under street fighter conditions. Many ideas and constructive criticism comes from these colleagues.

Our research and development is done "in-house" and I am very proud of our exceptional team of optical engineers, electronic geniuses, computer gurus and seasoned high class mechanical engineers. We collaborate with several light source manufacturers and continue to develop better, more efficient and precise light sources. We combine leading edge optical design (over 30 patents) with the most modern fixture and ballast concepts. We remain committed to create the best possible tools and control devices in precision lighting for the professional.

We are proud to introduce the latest marriage of prime class LED technology with our patented double aspherical dedolight optics and LED panel soft lights.

dedolight provides the highest optical precision and unique tools for light control and light shaping. These are available in eco friendly halogen, metal halide daylight, interchangeable tungsten ceramic and various LED technologies. We value the extraordinary team of dedolight agents around the world. Many share common roots in the practicing profession and an enthusiasm and dedication to the art of lighting.

INTRODUCING OUR COMPLETE RANGE OF FOCUSING DEDOLIGHT LED FIXTURES



5 DIFFERENT SIZES

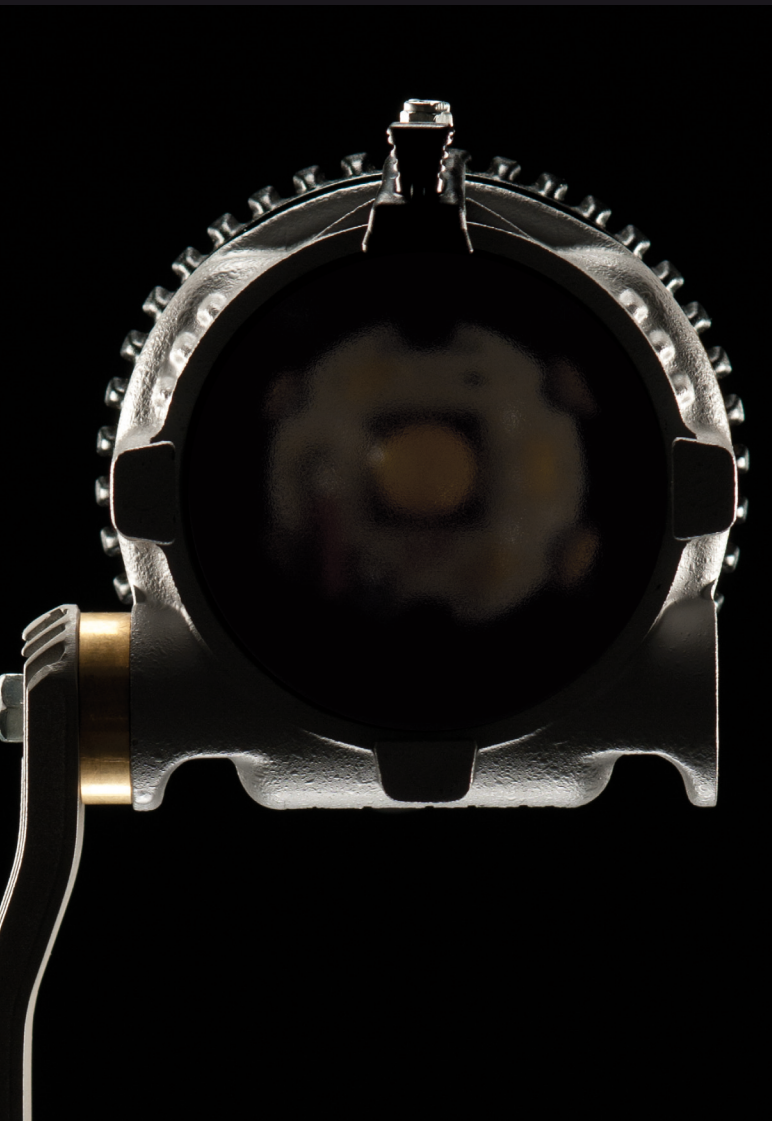
They all share common properties.

- State-of-the-art LED light source with features exclusively developed by dedolight
- dedolight patented aspherical optics
- Providing astoundingly high efficiency
- Unprecedented focusing range (wider/tighter)
- dedolight clean beam concept. Controlled precision beam with no stray light outside and perfectly even light distribution within the beam
- DLED2.0 and DLED4.0 provide excellent color in tungsten, daylight and bicolor versions.
- Complete light-shaping control
 - Precise barn door shadows. Many LED panel light barn doors are not functional at all or their function is limited because of PAR-type parabolic reflectors
 - Scrim
 - Graduated gray filters
 - Aspherical wide-angle attachments with rotating barn door leaves
- dedolight imager - projection attachments for
 - Light framing
 - Soft edge light framing with eye filters
 - Gobo projection
 - Background effect projection
 - Slide projection

The DLED4.0 is in production now as both a mobile and studio version. The studio version also features DMX control. We expect the mobile version bicolor to be very popular in conjunction with our bicolor LED panel lights. The largest LED fixture we are showing right now is the DLED12.0. Lights to complete the entire range, namely the DLED2.0 and the DLED9.0 will become available later this year. Our smallest LED light, the Ledzilla® - the on-board light - is already selling in multiple thousands all over the world.



LED



YOUR DREAM - OUR FOCUSING L

Complete Range in 5 different sizes and

- * Patented Aspherical dedolight Optics
- * Unprecedented Focusing
- * Astounding Light Efficiency



COMPLETE RANGE OF

D LIGHTS



LED LIGHTS

systems for on-board, off-board, mobile, studio & special effects.

- * Perfectly Even Light Distribution
- * Good Color (Tungsten, Daylight and Bicolor)
- * Complete Light Shaping Control



LED PANEL LIGHTS

DEDOLIGHT® DLED4.0 LED LIGHT HEAD

DEDOLIGHT® ASPHERIC OPTICS



'Dedo shows Steven Poster, ASC prototype of DLED4.0 light at IBC 2011 in Amsterdam'.

State-of-the-art LED light source for daylight, tungsten and bicolor. Bicolor version allows a continuous change from daylight to tungsten.

Separate dimming adjusts the intensity with no color change. Focuses like a true dedolight from wide 60° to extremely narrow 4° Clean beam – no stray light, lets you put the light exactly where you want it without causing any extra unwanted shadows. Works with all dedolight light shaping accessories and aspheric wide angle attachments (85° max. and still controllable focus) including DP1.1, DP2.1 and DP3.1 imagers which are similar to the well known dedolight projection attachments but with new dual condenser optics for higher transmission and perfect light distribution.

mobile daylight version = DLED4.0-D

mobile tungsten version = DLED4.0-T

mobile bicolor version = DLED4.0-BI

dedolight DLED4.0SE

Studio version. Same light head as DLED4.0 but with U-shaped yoke and ballast attached to one side of the yoke.

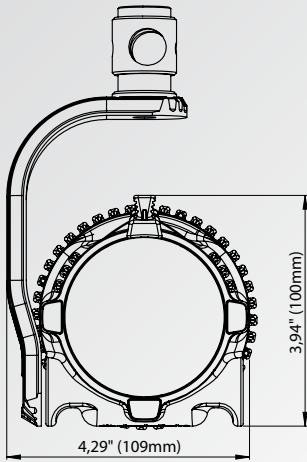
studio daylight version = DLED4.0SE-D

studio tungsten version = DLED4.0SE-T

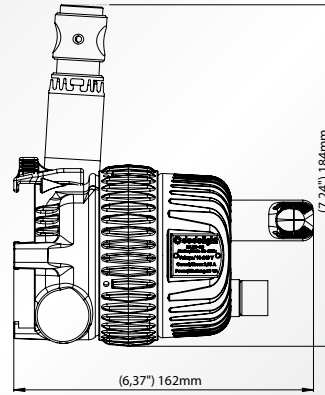
studio bicolor version = DLED4.0SE-BI



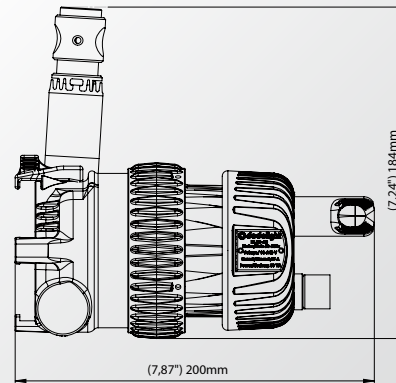
DLED4.0 Data Sheet



Flood



Spot



FOCUSING LIGHT HEAD: DLED4.0-D, DLED4.0-T

Focus Range (Intensity Range)	60° - 4° (1:20) *85 - 54° with optional aspheric wide angle attachment
Focus Control	One complete turn
Power	45W
Mounting	16 mm 5/8" receptacle and 28 mm (1-1/8") stud
Operating Position	Any
Tilt Control	Permanent friction
Accessory Holder	76 mm / 3" diameter
Safety	Protection Class III, SELV
Cooling	Passive (no fan)
UV	No UV radiation
Weight	1,360g (3 lb)
Size	W: 10g (4.29") L: (flood): 162 mm (6.37") L: (spot): 200 mm (8.87") H: 100 (3.94")

PHOTOMETRICS: DLED4.0-D Daylight LED Light Head

Distance	Meter	1	2	3	4	5	10
	Feet	3'	6'	9'	12'	15'	30'
Flood	Lux	1360	340	150	85	54	
	Foot Candle	126	32	14	8	5	
Medium	Lux	2800	700	310	175	112	
	Foot Candle	260	65	29	16	10,4	
Spot	Lux	27000	6750	3000	1688	1080	270
	Foot Candle	2509	627	279	157	100	25

tungsten version ~32% lower output

PHOTOMETRICS: DLED4.0-BI Bicolor LED Light Head (daylight)

Distance	Meter	1	2	3	4	5	10
	Feet	3'	6'	9'	12'	15'	30'
Flood	Lux	1170	293	130	73	47	
	Foot Candle	109	27	12	7	4,3	
Medium	Lux	2340	586	260	146	94	
	Foot Candle	217	54	24	14	9	
Spot	Lux	7050	1763	783	440	282	71
	Foot Candle	655	164	73	41	26	6,6

Bicolor in tungsten function ~ 35% lower output

POWER OPTION DLED4.0

DEDOLIGHT® DLED4.0 POWER SUPPLY

DT4.0-1 AC power supply for DLED4.0 tungsten and daylight light heads.

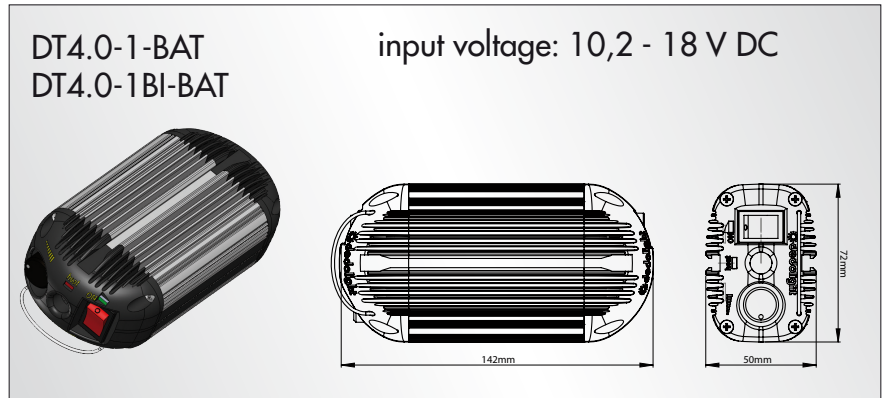
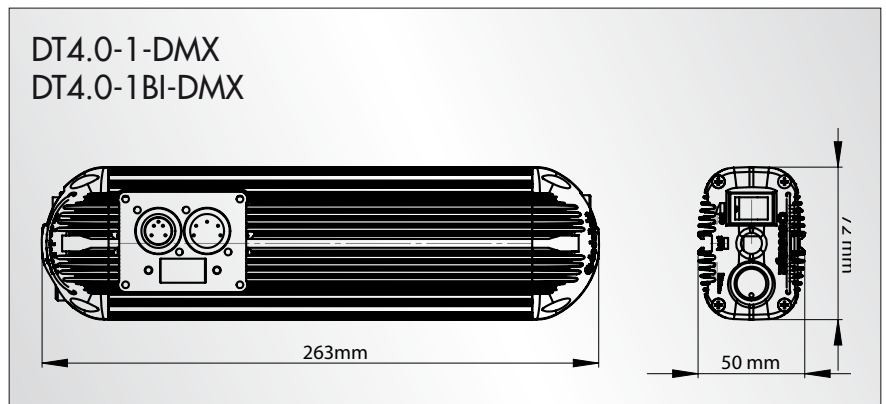
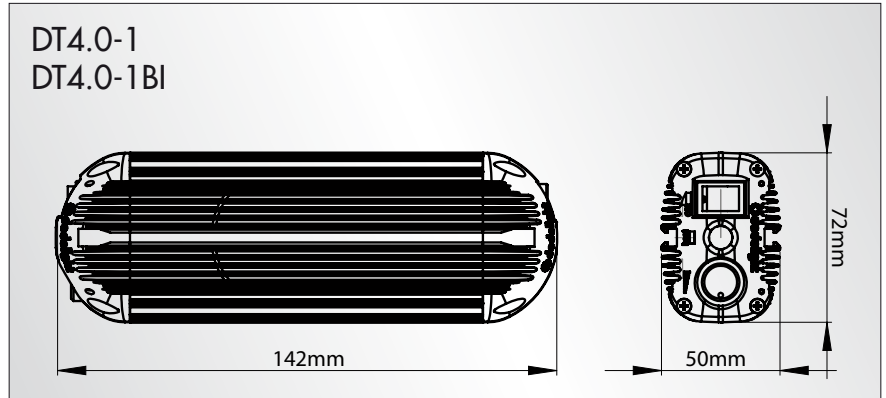
Allows worldwide use from 100V to 260V AC 50/60 cycle(check – Atanas) plus continuous dimming.

The DT4.0-1BI, same as above but with extra control for continuous change of color temperature from daylight to tungsten.

Add suffix “-DMX” for above ballasts with DMX control (DT4.0-1-DMX)

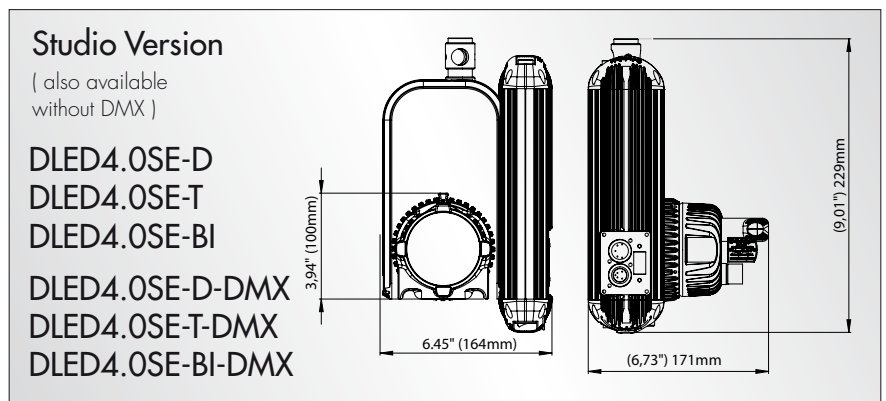
The DT4.0-1-BAT is much smaller and allows operation from any 12-18V DC source.(check and confirm)

The DT4.0-1BI-BAT, same as above but with extra control for continuous change of color temperature from daylight to tungsten.



POWER SUPPLY: DT4.0-1

Input Voltage	90 - 270V AC 47W
Output Voltage	40V
Controls	ON/OFF switch, dimming knob
Dimming	Continuously 20 -> 100%
Safety	Protection Class I, IP40
Cable length (plug -> power supply)	Mains cable 2.5 m / 8.2'
Cable length (plug -> light head)	Cable to light head 1.4 m / 4.6'
Mounting	Cable loop
Weight	1,000g / 2.2lb)
Size	L: 263 mm / 10.3" W: 72 mm / 28" H: 50 mm / 2"



DLED12.0

The 12.0 is currently the largest in our range of focusing LED lights.

The extreme power of this light is compensated by a state of the art cooling system.

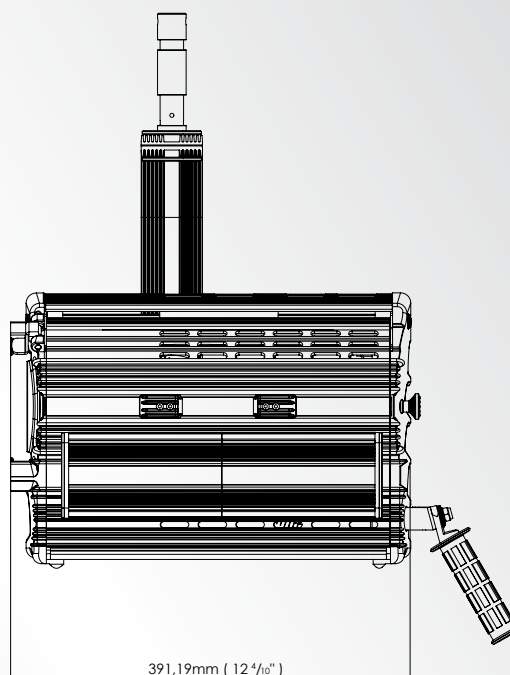
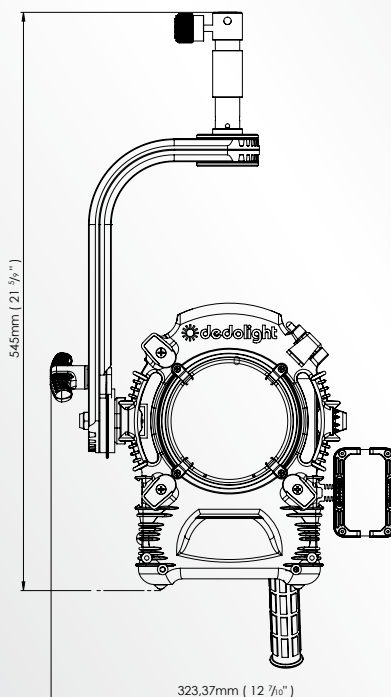
dedolight aspherical optics provide the expected huge focusing range, clean beam and smooth light distribution.

Both daylight and tungsten versions are functional.

A bicolor version is still in the test phase. Final specs and photometrics will be released as we approach full production.



DLED12.0-D
DLED12.0-T
DLED12.0-D-DMX
DLED12.0-T-DMX





DLOBML

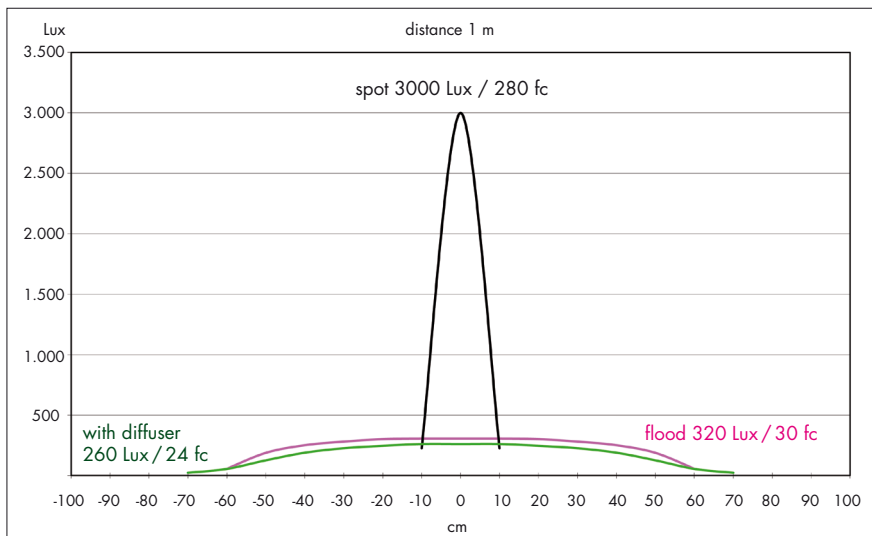
This light head works with a single, high-power LED

- Amazing output in combination with the dedolight double aspheric optics.
- Focuses like a dedolight. LED lights are usually not focusable.
- No other focusing LED light compares - 4° to 56°.

- Smooth light distribution in all and every focusing position.
- Wide angle flip-up diffuser for 70° angle, smoothly covers the widest zoom and horizontally widens the beam.
- Clean, sharp, single edge barn door shadow OR a very gentle light and shadow transition with the flip-up wide angle diffuser in place
- Converts from daylight to tungsten via a dichroic flip-down filter
- Color rendition and color distribution is cleaner than comparable LED lights.
- Powers from any 6V to 18V DC power source.
- Optional battery shoes are compatible with Sony, Panasonic, Canon and Nikon mini-DV batteries.
- NPF550 7.2V, 2000 mA, 105 minute run time.
- NPF750 7.2V, 4000 mA, 210 minute run time.
- NPF950 7.2V, 6000 mA, 330 minute run time.

When dimmed to 50% light output, power consumption drops accordingly resulting in twice the run time. Alternative power from any Anton/Bauer or PAG system, car cigarette lighter output or battery belt.

- Power consumption is only 8W despite its high output.
- Operates from -40°C up to +40°C.
- LED power available indicator.
- Front end bayonet mount allows the addition of future attachments and light modifiers.



Options:

Soft tube, Soft box, White dome

Attach by front end bayonet mount



DLOBML-LT20

Soft tube, 20 cm / 8" long
 Ideal for soft light in confined areas, e.g., car interior at night. Detachable light shaper – folding plastic barn doors.



DLOBML-SBX12

Soft box, 12 cm / 5" wide
 Gentle fill light, easy to look at, ideal for close ups. Filter slot accepts tungsten conversion filter.

DLOBML-SBX12-CTO

Front diffuser with color conversion to 3200K (not shown)



DLOBML-WD15

White dome soft box, 15 x 15 cm / 5.9" gentle light, evenly distributed, perfect as general fill light. Side covers can be opened individually.

DLOBML-TCF

Tungsten conversion filter for filter slot of all three accessories. Same filter slot serves for gel strips from any common switch book. Allows nearly any kind of color effect.

iredZILLA

dedolight®

890 nm (IR-A) INFRARED LED ON BOARD - LIGHT HEAD

- Amazing output in combination with the dedolight double aspheric optics.
- Worlds first focusing near infrared illuminator that focuses like a dedolight.
- No other focusing IR-light has a comparable focusing range of 4° to 56°.
- Even light distribution in all focusing positions.
- Dims extremely smooth from full to zero.
- Narrow beam angle allows shooting through trees without disturbing reflections caused by close up obstacles.
- Illumination up to 40 m (130 ft) (tested with Sony Nightshot Camcorder).
- Powers from any 6V to 18V DC power source.
- Adjustable support arm allows it to be positioned on a camera.
- Various power cables and mounting accessories are available (see *ledzilla® accessory list*).
- Works with most any night vision equipment, dramatically increasing performance.
- Amazing 2000 mW illumination power.
- The light projected from an 890 nm infrared

LED is invisible to the human eye, however you may see a dull red glow when looking directly at the front lens. iredZILLA is also available in a 990 nm version.

- Optional battery shoes are available for Sony, Panasonic, Canon and Nikon 7.2V Li-Ion batteries.
- NPF550 7.2V, 2000 mA, 105 minute run time.
- NPF750 7.2V, 4000 mA, 210 minute run time.
- NPF950 7.2V, 6000 mA, 330 minute run time.

When dimmed to 50% light output, power consumption drops accordingly, resulting in twice the run time.

Alternative power from any Anton/Bauer or PAG system, car cigarette lighter output or battery belt.

- Power consumption is only 6W despite its high output.
- Operates from -40°C up to +40°C.
- DC power indicator LED.
- Also available in 990 nm.



DLOBML-IR890

DLOBML-IR990

- Applications:
 - Infrared illumination for cameras (night shot)
 - Infrared photography
 - Surveillance systems
 - Machine vision systems

FLUORES-ZILLA

dedolight®



- Amazing light output with dedolight double aspheric optics
- Worldwide first black light source that focuses like a dedolight from 4° to 56°
- No heat emission in exiting rays
- No other focusing long-wave UV-A LED light source has comparable focus range
- Perfectly even light distribution in each focus position
- Extremely gentle dimming from full intensity to 5% without change of color
- Power supply from 6V – 18V DC
- Adjustable holding arm allows positioning above or in front of camera
- Multiple power supply and attachment accessories are available (see *ledzilla® accessory list*)
- 1500 mW output
- In comparison to 365nm LEDs Fluoreszilla with 400 nm LED shows higher percentage of violet. Many materials reacting to fluorescent light appear in double brightness.

- Optional battery shoe for Sony, Panasonic, Canon and Nikon 7.2V Li-Ion batteries.
- Available as option with 365 nm LED

- NPF550 7,2V, 2000 mA, 105 min. run time
- NPF750 7,2V, 4000 mA, 210 min. run time
- NPF950 7,2V, 6000 mA, 330 min. run time

When dimmed to 50%, power consumption is lowered accordingly, resulting in twice the run time.

Alternative power supply from Anton Bauer or PAG system, cigarette lighter adapter or battery belt.

- Power consumption only 6W, in spite of high output
- Operating temperature from -40° C to +40° C
- LED power indicator



DLOBML-UV

- Fields of application:
 - Black light effect / UV-active body paint
 - UV-active deco material
 - magic ink / Edding UV-marker
 - Fluorescent wall paint (paintings)
 - Bank note – document testing
 - Mineralogy
 - Shows poorly cleaned areas in bathrooms (soap & urine spots)

ACCESSORIES – MOUNTING (FOR LEDZILLA®, IREDZILLA®, FLUORESZILLA®)



DLGA300 / DLGA200

Articulating arm, 200 mm. Square top, male shoe or 1/4" male to camera



DLBRS

Rail with 1/4" screw for camera and shoe for light head



DLBRHS

Rail with folding handle, 1/4" screw for light head



DV3GA

Ø 7.5 cm / 3" vacuum mount with 200 mm articulating arm



DLBSA-HAND

Shoe adapter with handle



DLBSA-TS

Table shoe: 9.5 x 6.3 x 1.2 cm (3.7" x 2.5" x 0.5"), with shoe for light



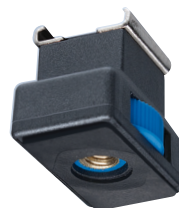
DLBSA-3S

Triple shoe with tilt lock



DLBSA-S

Female shoe adapter to 1/4" male



DLBSA-T

Female shoe adapter to 1/4" female



DLBSA-M

1/4" male to mini shoe for Sony mini camcorder, use with DLBSA-T



DLBSA-U

Square top fits Ledzilla®, ends in male shoe



DLA-LB

Large Bone, 2 x female shoes and 3 x 1/4" receptacles. Mounts to camera with 1/4" screw



DLBSA-MBJ

Metal ball joint with shoe



DLA-ML

Square top fits Ledzilla®. Accepts 16 mm baby stud (5/8")

POWER SUPPLY (FOR LEDZILLA®, IREDZILLA, FLUORESZILLA)



DLOBML-XLR

Coiled cable 65 cm - 1.30 m/25 - 51" with 4-Pin XLR connector



DLOBML-SWIT

Cable 55 cm/22" with Ø 2.1/5.5 mm connector for Swit battery



DLOBML-PAG

Cable 55 cm/22" with Ø 2.1/5.5 mm connector for PAG battery



DLOBML-CAR

Cable 1.8 m (6 ft.) with cigarette light connector



DLOBML-P

Soft pouch for Ledzilla®



DLB-NPF550

7.2 V Li-Ion battery 14.8 Wh (2000 mAh)



DLB-NPF950

7.2 V Li-Ion battery 43.2 Wh (6000 mAh)



DLCH-NPF

Charger for NPF battery. Input: 100-240V



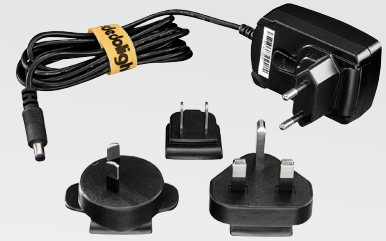
DLOBML-AB-S

Cable 22 cm/9" with Anton/Bauer connector



DLOBML-AB-L

Cable 55 cm/22" with Anton/Bauer connector



DLPS-12

Mains power supply (100-240V) with 12 V DC output



DLOBML-BC

7.2 V Canon battery shoe for BP-9

DLOBML-BP

7.2 V Panasonic battery shoe for CGA

DLOBML-BP2

7.2 V Panasonic battery shoe for VW-VBG6 (AG-AF101)

DLOBML-BSU

12 V Sony battery shoe for BP-U

DLOBML-BS

7.2 V Sony battery shoe for NPF / Panasonic VW-VBD1

DLOBML-PBN1

Nikon photo battery shoe for EN-EL3E

DLOBML-PBC1

Canon photo battery shoe for LPE6



DLBF-8AA

External battery box for 8 AA batteries 1.5 V

WILL OUR NEW RANGE OF LED LIGHTS MAKE OUR PREVIOUS LIGHTS OBSOLETE ?

LED's are an emerging technology. Some users prefer to work with LED lights while others will see advantages in using the existing dedolight range of instruments. To some extent it depends on what is expected and the results that can be achieved with LEDs vs traditional lighting sources.

dedolight is at the leading edge of development in LED lighting. With our patented dedolight optics we have new and exacting tools for the lighting professional.

1 – HIGH LIGHT OUTPUT

While LEDs offer a high light output, there is a trade off between very good color and lower output vs highest possible output with a lower color rendition index.

2 - LOWER ENERGY CONSUMPTION

- Most of the halfway decent LED light sources today provide approximately 60lm/W. The traditional low voltage dedolight halogen lamps produce 40lm/W.
- Metal halide lamps (usually daylight) provide 80lm/W. This is the same light output achieved from the unique dedolight tungsten metal halide lamp.
- Professional fluorescent lamps provide 80lm/W.
- Currently available decent LED's give 60lm/W. If closer to perfect color rendition is desired the trade-off is lower efficiency (40lm/W or less). In comparison, most of the traditional light sources give us a more reliable, full spectrum color rendition, fulfilling the demands of professionals for a CRI value above 90.

3 - COLOR RENDITION

Good color rendition is still difficult to find with the current state of LEDs, in particular with daylight LEDs.

BENEFITS

Unique benefits of LEDs:

- Our bicolor LED line allows the user to change from daylight to tungsten on our bicolor panel fixtures and on our bicolor focusing fixtures, such as the DLED4.0 which is currently in production and the DLED2.0 which will be available later this year.

dedolight Sundance Kits (focusing and soft lights) may be changed from daylight to tungsten with a simple lamp change. With the bicolor LEDs this is accomplished with the flick of a button.

- Full dimming range with little or no color change
- Heat output

Most people believe that LEDs produce little or no heat. This is far from the truth and requires explanation. While it is true that the forward heat of LEDs is low, the heat generated on the LEDs is still about 85% of the energy consumption vs. 85%-90% of heat generated with halogen lamps (better with our low voltage dedolight halogen lamps). Therefore, heat is still a major problem with LEDs and cooling is incredibly difficult, either requiring huge-cooling systems or super-modern cooling technologies, which are not always applicable for professional demands in studios.

COMPARISON TO TRADITIONAL DEDOLIGHTS:

Classic dedolights have always been extremely eco-friendly by having double the light output from low voltage lamps compared to studio halogen lamps. dedolight's precision lighting instruments combine a revolutionary optical system, higher efficiency and farther reach, achieving drastically lower power consumption.

dedolight has been on the eco-train from the beginning. dedolight low voltage lamps cost only one quarter of the equivalent high voltage lamps and live many times longer, making it the most economical lighting system on earth.

When considering precision and light shaping control, the only competition to the traditional dedolights are dedolights own LED fixtures. We fully expect our traditional fixtures will

remain prominent in the professional world. We continue to experience increasing sales of these lines. dedolight dedicated soft lights are absolutely unequalled by any other lighting system, especially when considering the creative characters of our PanAura® fixtures.

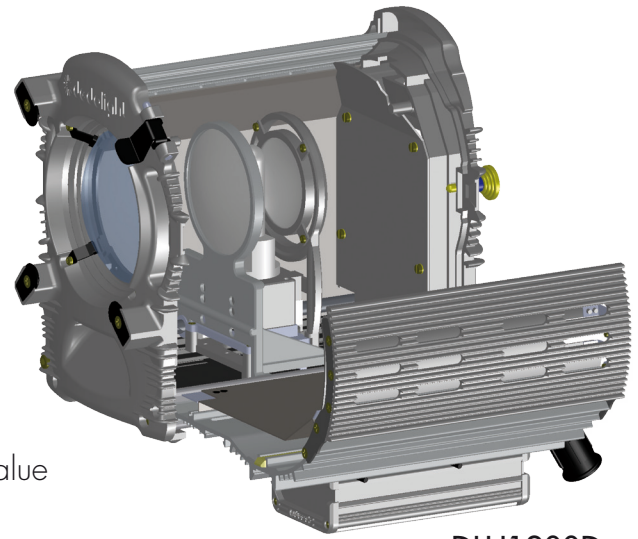
dedolights new LED fixtures rank among the best possible due to the proven dedolight aspherical optics. Our LEDs add another highly sophisticated range of tools for the professionals who will have to choose which of the dedolight instruments best suit their purposes and demands in image creation. Videos and literature with more detail and technical information are available upon request.



THE NEW 1200 W DAYLIGHT-SYSTEM

MANY YEARS OF EXPERIENCE CULMINATE IN THIS NEW CONCEPT. DOUBLE ASPHERIC OPTICS AND ZOOM FOCUS. THESE CONCEPTS ARE PATENTED AND HAVE BEEN TWICE RECOGNIZED BY THE OSCAR COMMITTEE OF THE ACADEMY OF MOTION PICTURE ARTS AND SCIENCES.

- Higher light yield
- Higher focusability
- Perfect light and color distribution
- Highly efficient convection cooling
- Rainproof
- Super service friendly
- Flips open like a book – easy access
- Extremely low UV values, approx. 1/20 of the value shown by other lights



DLH1200D



Hard Case DCHD1200

Size: 71 x 37 x 43 cm (2,3' x 1,2' x 1,4')
Weight: 14,5 kg / 32 lbs



Technical Data:

DLH1200D Daylight Light Head

Focus Intensity:
 1:18, with aspheric wide angle attachment > 1:50

Weight:
 10,5 kg / 23 lb

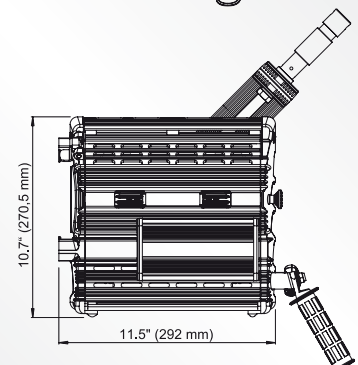
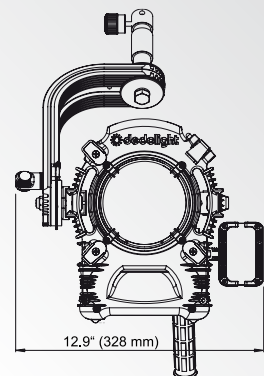
Lamp:
 DL800DHR-NB, 800 / 1200W, clear, single ended hot restrike, G12.

Mounting:
 16 mm (5/8") receptacle and 28 mm (1 1/8) Stud

Safety:
 Safety switch prevents operation when access door is open

UV:
 Extremely low UV emission

ON/OFF:
 On/Off buttons located on both, head and ballast, for ease of operation



DEB 1200D THE ELECTRONIC BALLAST



DEB1200D Electronic Ballast

DPOW1200D Cable

- Leading edge technology
- Low heat dissipation
- Silent ventilator remains off during normal operation and operates under high heat conditions only
- Active power factor correction
- Auto ranging from 90 to 260V
- Overload protection
- Surge protection
- Short circuit protection
- Auto start function
- DMX control is standard
- Rainproof construction
- The ballast can be opened within 30 seconds—like a book.
- Full access to all elements and electronics

Technical Data:

DEB1200D Electronic Ballast

Weight:
11,4 kg / 25 lbs

Output Power:
800 / 1200 W

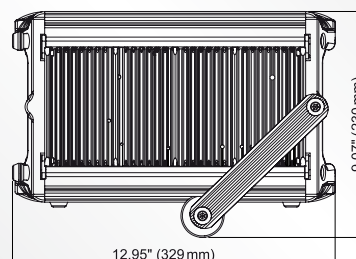
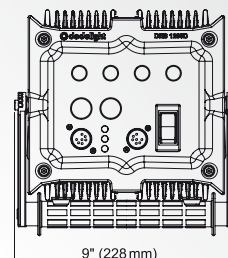
Input Voltage:
90-260 V

Indicators:
3 Status-LEDs (Ready, Lamp, Heat)

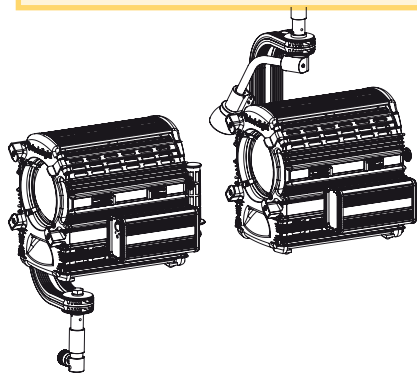
Dimming Range:
40-100%

DMX-Control and Auto Start Mode
„Silent Mode Function“ switchable

Stand mounting optional:
with clamp



THE TUNGSTEN-EDITION OF THE NEW SERIES 1200



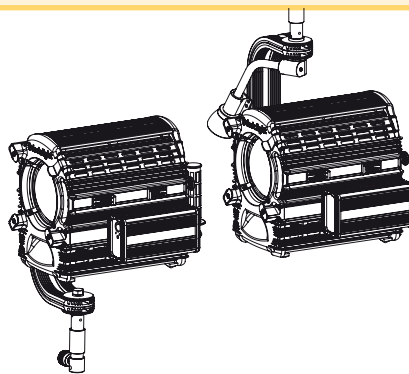
DLH1000T / DLH1000TPO

DLH1000T

A mains operated light with unrivaled focusing range and superior light quality. Can be used with a choice of G22 halogen bulbs available in 1 kW, 750W, 650W and 500W from 120-240V.

DLH1000TPO

Pole operated Versions for studio applications



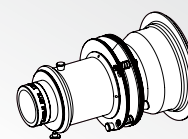
DLH1000T-DMX / DLH1000TPO-DMX

DLH1000T-DMX

DLH1000TPO-DMX

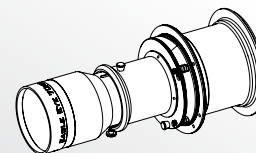
with DMX controlled integrated dimming

Imager Projection Attachments for Series 1200



DP1200CON

For use with 150 mm, 185 mm and 230 mm projection lenses. Two component condenser for the adaptation of all DP400 imager modules for use on 1200 series light heads.



DP1200CON-WA

This version is for use with 70 mm, 100 mm or 150mm wide angle lenses.



A DEDICATED SOFT LIGHT THE PORTABLE WINDOW

Why do we call it dedicated?

Similar to the other known seven dedolight soft lights, these have been conceived exclusively as optimum soft light sources

- Light output is double in comparison to a soft box in front of a studio Fresnel light, because the actual light sources are placed in the focal point of the reflector
- Gentle wrap around instead of hot spot

On an optimum soft light source, the light emission on the large diffuser should be perfectly even to the edge. It should even be somewhat more intense towards the edge.

Both variations are offered by this soft light by changing the standard inner diffuser with a rimaura diffuser (both types included).

- The standard inner diffuser provides perfectly smooth light distribution



The inner rim diffuser provides a brighter rim area (Aura) on the front diffuser and is closer to the idea of a „wrap around light“



Alternatively, use the large inner diffuser for all over even light



PanAura® 7 with 40° grid

Tungsten / Daylight

dedolight is probably the only one who offers the interchangeability of daylight discharge lamps with tungsten discharge lamps. Both have equally high light output, identical high color quality and both work with the same ballast.



DL400DHR-NB

Metal Halide Lamp 400/575 W Daylight

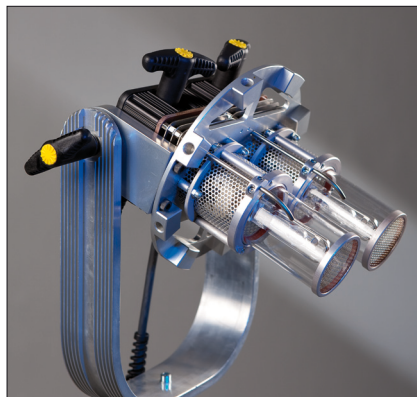
DL575THR-NB

Metal Halide Lamp 400/575 W Tungsten

Intensity control in seven steps with no change of color.

This two lamp system offers a wide range of intensity control. Each lamp is individually controlled and can be switched from 575 W to 400 W or continuously dimmed to 300 W and then switched off. This results in an unprecedented range of intensity control without any change to color quality.

Higher Output - More Light - Less Consumption - Less Heat



DLHPA7x2DT

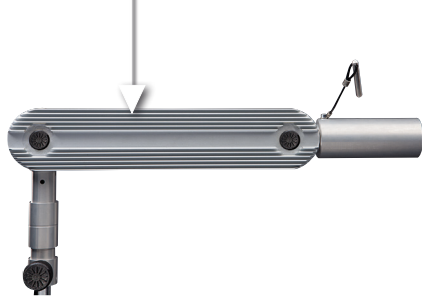
Soft light head for 2 lamps, daylight or tungsten, interchangeable, same high light output. Both lamps work with the same ballasts.

How do you want to call it?
Energy Efficient?
Green-Tec?
dedolight-PanAura®?
The Portable Window?
... or just the soft light with the most loving character?

Even though we do not favor the hot spot philosophy, we still have 140 percent light level in the center compared to a 5000 W tungsten Fresnel with a soft box and use only 1150 W.

250 percent light level towards the rim compared to a 5000 W tungsten Fresnel with a soft box – and we still only use 1150 W.

PanAura® compares favorably with a soft box on a 2.5 kW daylight studio light – more light and uses only 1150 W.



DLHPA7-EXT

Yoke Extension
For use with PanAura® 7 in tilted position for extra distance between light stand and PanAura® 7.



DEB400DT

Electronic flicker free ballast for daylight and tungsten discharge lamps.

DPOW400DT

Connection cable between Light Head and Power Supply



DEB400Hx2

Extending ballast holder for better balance

DLPA7

dedolight PanAura® 7 soft box with additional rear cowling and 2 different inner diffusers (DLPA7D2 standard diffuser and DLPA7D2S rim aura diffuser) as well as the DLPA7D1 large front diffuser.

DLPA7x4T

dedolight PanAura® 7 Special version soft box with super high heat resistant material and additional air vents for use with DLHPA7x4T.

DLPA7G

40° grid for all PanAura® 7 Models



DSCPA7W

PanAura® 7 soft case with wheels

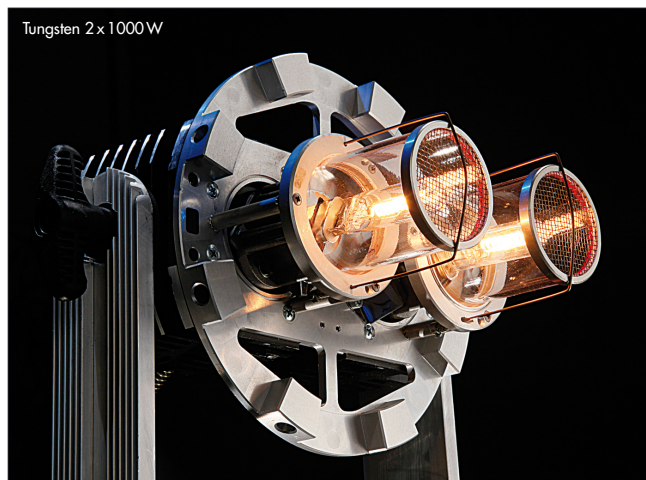
PURE TUNGSTEN VARIATIONS OF PANAURO® 7

When you don't need daylight and the flexibility to change between daylight and tungsten (interchangeable lamps), you may want a pure halogen tungsten light source.

Tungsten PanAura® light head DLHPA7x2T works with two 1000W halogen lamps.

The DLHPA7x4T works with four 1000W lamps (type DL1000FEPNB/FEL-NB). The 4K version (4 lamps) requires a special soft box which can withstand the extra heat and provides extra air vents (DLPA7x4T).

All halogen lamps are individually switchable or can be dimmed individually with our new dimmers - see page 22.



DLHPA7x2T

Soft Light Head for 2 Lamps 1000W Halogen with protective glass tubes



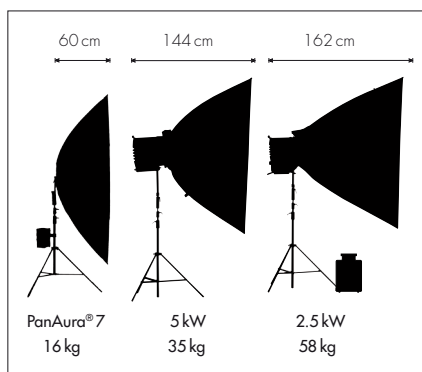
DLHPA7x4T

Soft Light Head for 4 Lamps up to 1000W Tungsten each, with protective glass tubes

SIZE, DEPTH, WEIGHT

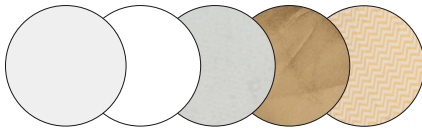
The PanAura® family comes in 3 sizes, all offer superb soft light character without any hot spot, and the choice of different inner diffusers allows smooth and even light distribution or the typical PanAura® look with the brighter rim towards the outside - the true loving, caressing wrap-around light character.

When working in confined areas the depth of the light head can make the decisive difference whether this wonderful, creative tool can be used at all. The very shallow depth of this portable window system offers distinct advantages in space consumption. Also much less weight, higher light efficiency, lower heat, lower power consumption (never blow a household fuse).



dedoflex MULTIDISC 5 IN 1

The MultiDisc 5 in 1 offers five reflector surfaces. Translucent, white, silver, gold, and soft gold in one easy to carry package. Switch surfaces in seconds.



- Translucent: Use to diffuse light. Produces a broad light source and soft effect.
- White: Use to reflect light with natural looking results.
- Silver: Use to increase specular highlights adding more contrast to your image.
- Gold: Use for a strong warming effect in your lighting
- Soft Gold: Use for natural looking, warmer reflected light. Soft Gold combines silver and gold in a zig-zag pattern for a warm, summery feel that works great with skin tones.

The heavy duty steel frame is guaranteed not to break for the life of the product. Reflector surfaces are smooth and flat for consistent, even reflections. The MultiDisc comes in its own protective, durable fabric case for storage and transport.



DF5IN1-56

Small 56 cm (22")

DF5IN1-81

Medium 81 cm (32")

DF5IN1-106

Large 106 cm (42")



DLTCH Compact Disc Holder

The new compact holder for dedoflex reflectors and diffusers as well as for dedoflex 5in1 MultiDiscs. The holder consists of two parts and can be expanded from 71 cm/28" to a maximum of 127 cm/50". A 16 mm stud is provided for mounting accessories or light heads.

PACK AND TRANSPORT



SPA7x2DT

Tungsten/Daylight
PanAura® Kit, complete

- robust soft case with wheels
 - soft light head
 - 2x 400/575W daylight lamps
 - soft box with rods and baffle
 - 2 types of inner diffusers
 - 1 front diffuser
 - 40° grid
 - 2 ballasts, cable
- optional:
- yoke extension
 - variable ballast holder
 - stands
 - 575W tungsten lamps (available soon)

New soft case with wheels for Portable Studio

Robust soft case. Same as DSC2/2-200 but with wheels

The DSC2/2-200W can be replaced on the following kits:

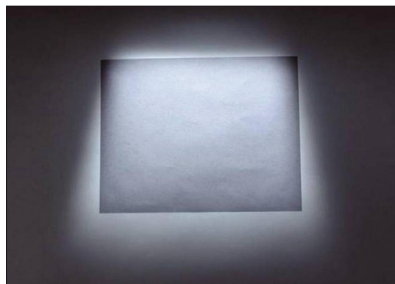
- S2 - Traveler Kits
- S3 - Hustler Kits
- S4 - Explorer Kits
- S200-3 - Sundance Kit
- SPS4 - The 4-Light-Kit
- SPS5 - The 5-Light-Kit



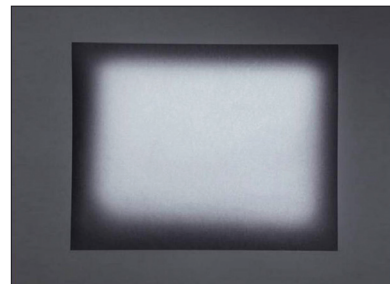
DSC2/2-200W

WIDE EYE - NEW WIDE ANGLE OPTIONS

Focuses like no other light. Rotating barn door leaves give parallel shadows, for the first time in lighting history



Your Rembrandt, lit with a traditional 8-leaf barn door (Many barn doors only have 4 leaves)



Our system turns the „unavoidable‘ trapezoidal shadow edges into parallel shadows.



DLWA

Wide-angle attachment for classic dedolight

DLWAR

Wide-angle attachment with rotating barn door leaves for classic dedolight

DLWA400R

Wide-angle attachment with rotating barn door leaves for series 400 lights

DLWA1200R

Wide-angle attachment with rotating barn door leaves for series 1200 lights

dedolights can focus like no other conventional light source. This is made possible by our patented dedolight concept with two aspherical lenses and triple zoom focus movement.

Small studio lights focus in a ratio of 1:3. Some large studio Fresnels reach 1:6. dedolights have a focusing range up to 1:25.

These figures refer to changes of intensity when focusing from flood to spot. dedolight changes the angle of exit from approx. 60° down to 4°. Such are values which are never reachable by other comparable lights.

New - another added exclusive feature: A whole series of aspheric optical, wide-angle attachments called Wide Eye.

By adding these attachments the focusing range of dedolights is enhanced up to a ratio of 1:55 and changes the angle of exit from 4° all the way to 90°. For video cameras, such attachments were known to turn a standard zoom into a wide-angled zoom. This is another dedolight lighting exclusive.

Wide Eye is available in three different sizes:

- for classic dedolight and 200W Sundance
- for series 400
- for series 1200

Why do we need rotating barn door leaves? All traditional barn door leaves can only be adjusted parallel to each other. Isn't that amazing...practically most lighting situations work from an angle (usually from above) in which case the shadow edges of traditional barn door leaves will no longer show as parallel, but as a trapezoidal shape. That is not the way our houses, rooms, doors and pictures are built. When rotating the barn door leaves of the dedolight (special barn doors like DBD2 and the barn door leaves on the wide-angle attachments) it enables you for the first time to light vertical and rectangular edges of objects with precision.

- widen angle of exit up to 85° or 90°
- perfect light distribution
- minimum light loss
- continuously focusable
- always full control - these Wide Eye attachments work with 8 barn door leaves
- even better - the barn door leaves can rotate (another dedolight patent)

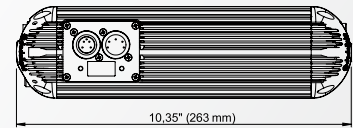
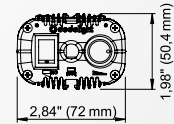
NEW: HIGH TECH NOISELESS MOSFET DIMMERS - ALSO WITH DMX

DLDIM2000

In-Line Dimmer 230 V max. 2 kW
120 V max. 1 kW

DLDIM2000-DMX

DLDIM2000 with integrated DMX control
This dimmer with integrated DMX, can control many dedolight tungsten focusing and soft lights along with lights of other manufacturers up to 2 kW at 230-240V or up to 1 kW at 100-120V. Since these DMX-controlled dimmers are noiseless, they can be mounted next to the light. Mounting



devices for attaching to pipes via clamps are available. As a result, many studios will be able to eliminate external dimmers which often

generate noise and require a room of their own. Our high tech dimmers bridge the missing gap of DMX for all studio lights.

dedolights with integrated DMX-dimmers

In studios you will find that the moving lights are always DMX controlled. Most KinoFlo lights can be DMX controlled. Other focusing lights are usually not DMX controllable. This is one of the reasons why our dedolight 150W DMX controllable light heads (DLHM4-300DMX) which offer a light output similar to a traditional 500 W Fresnel, are used in many TV studios. Also our daylight light heads are DMX controllable.

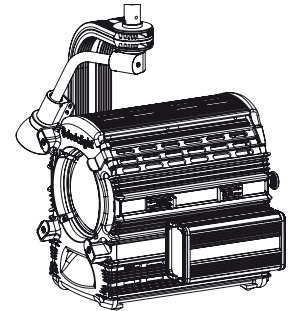
150W light head with light output similar to traditional 500W Fresnels (DLHM4-300DMX)



650W pole operated light head (DLH650PO-DMX)



1000W pole operated light head (DLH1000TPO-DMX)



The dedolight DLH400DT daylight fixture, with its DEB400DT ballast is also available with DMX control.

Our new 1200 W daylight source (DLH1200D) and DEB1200D ballast are equipped with integrated DMX control as a standard.

12/24 V In-line Dimmer

Working with batteries, over voltage can occur quite frequently.

As an example - professional video camera batteries which are nominally called 12V batteries are no longer true 12V versions but mostly 14.4V - and when they are freshly charged they provide up to 17V. The DLDIM-BAT dimmer solves this problem.

DLDIM-BAT

The Classic dedolights work with 12V and / or 24V special low voltage lamps. These lamps offer the following advantages:

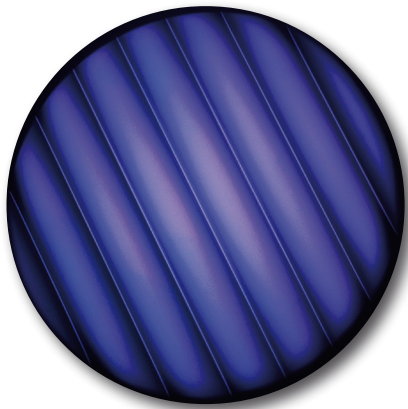
- extreme high light output for a halogen system with 40 lumen per Watt (standard high voltage halogen lamps only provide approximately 20 lumen per Watt)
- resistant to shock and vibration (which is definitely not a virtue of high voltage halogen lamps)
- drastically lower purchase cost (75% less)
- longer life expectancy
- **BUT:** As all halogen lamps which offer very high light output, such lamps are sensitive to over voltage.

Tech Specs: DLDIM-BAT Inline Dimmer

- Switch the voltage selector to the 12V - DC position - Now you can feed up to 18V, but the maximum output voltage is limited to 11.8V. This is suitable for 12V - 20, 50, 75 and 100W lamps.
- Switch the voltage selector to the 24V - DC position - Now you can feed up to 36V, but the maximum output voltage is limited to 23.5V. This is suitable for 24V - 50, 100 and 150W lamps.
- The lamps will be gently started (soft start) when switched on.
- Recognition of defective or missing lamp (blink code with LED indicator)
- Short circuit and overload protection
- Smooth dimming range 3-100%
- Robust and small housing
- Low voltage cutoff at 10.2V respectively 20.4V for protection of batteries
- When input voltage is lower than 12V the maximum output (100%) cannot be reached. Similarly, in 24V mode the maximum is not possible when the input is below 24V



BACKGROUND FX GLASS GOBOS

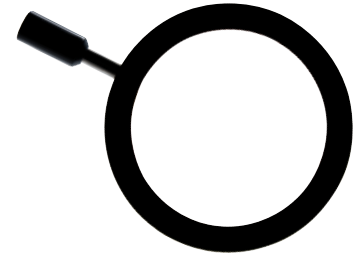


To be used with our DP1 and DP400 imagers. Background FX glass gobos quickly change any flat, drab background into a stunning piece of set design. With eleven different patterns and eight colors, dozens of effects can be created. Focusing and defocusing the pattern changes the mood.

Sandwich them together with standard metal gobos and you have an even wider choice.

The same effects and colors are also available for the DP400 (Series 400) imager.

Sample order code:
DFXT4003-B= „Waffle“ blue



DFXH

Effect Glass Holder for Ø 66 mm (M size)

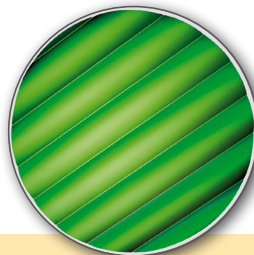
DFX400H

Effect Glass Holder for Ø 100 mm (A size)

Each pattern is available in 8 highly saturated dichroic colors:

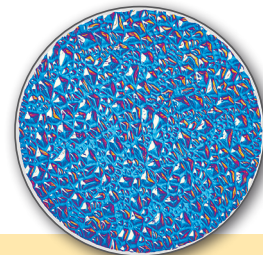
Blue (B), Purple (P), Light Blue (LB), Red (R), Magenta (M), Yellow (Y), Turquoise (T), Light Green (LG)

Sample order code: DFXT3-B = „Waffle“ blue



DFXT4

Effect Glass „Waves“



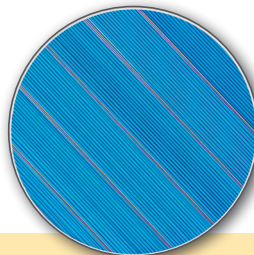
DFXT8

Effect Glass „Crystal“



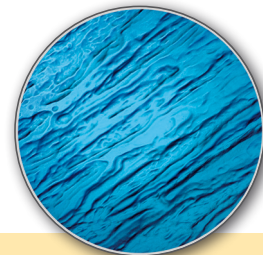
DFXT1

Effect Glass „Harmony“



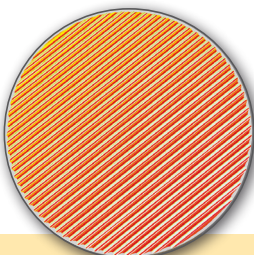
DFXT5

Effect Glass „Lamello“



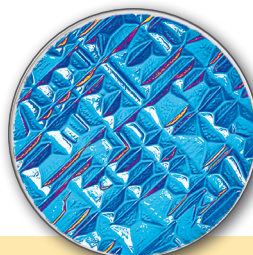
DFXT9

Effect Glass „Flow“



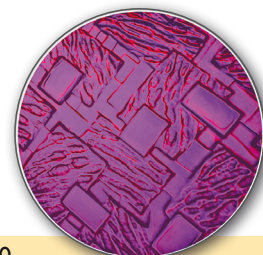
DFXT2

Effect Glass „Groove“



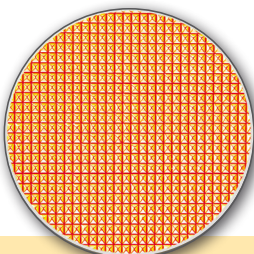
DFXT6

Effect Glass „Mystic Squares“



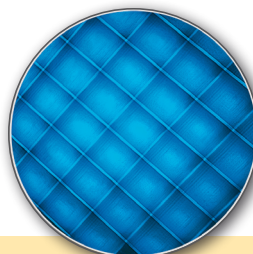
DFXT10

Effect Glass „Farrago“



DFXT3

Effect Glass „Waffle“



DFXT7

Effect Glass „Cakester“



DFXT11

Effect Glass „Cells“

dedolight



Dedo Weigert Film GmbH

Karl-Weinmair-Straße 10
80807 Munich/Germany
info@dedoweigertfilm.de

Tel.: +49 (0)89-356 16 01
Fax +49 (0)89-356 60 86
www.dedoweigertfilm.de



Dedotec USA, INC.

48 Sheffield Business Park
Ashley Falls, MA 01222
Phone: (413)229 2550
Fax: (413)229 2556

www.dedolight.com
info@dedolight.com