

UltraStudio 4K



Rack mount Thunderbolt or Thunderbolt 2 based capture and playback "break out box" with latest high performance technology including 4:4:4 and dual channel 3D stereoscopic, Ultra HD and 4K capture and playback. UltraStudio 4K is the solution you need when doing high performance work that demands quality. Packed with the latest SDI, HDMI and analog video, and timecode connections, as well as AES/EBU, balanced and unbalanced analog audio. There is no better solution for video capture and playback!

\$995

Connections

SDI Video Input

2 x 10-bit SD/HD/2K/4K and 2D/3D switchable. Supports 3Gb/s and 6Gb/s single link and dual link.

SDI Video Loop

2 x reclocked 10-bit SD/HD/2K/4K. Supports 3Gb/s and 6Gb/s.

SDI Video Output

2 x 10-bit SD/HD/2K/4K and 2D/3D switchable. Supports 3Gb/s and 6Gb/s single link and dual link.

Analog Video Input

1 x Component YUV on 3 BNCs.
1 x composite on 1 BNC.

Analog Video Output

1 x Component YUV on 3 BNCs.
1 x composite on 1 BNC.

HDMI Video Input

1 x HDMI type A connector including 3D frame packing and Ultra HD support.

HDMI Video Output

1 x HDMI type A connector including 3D frame packing and Ultra HD support.

Analog Audio Input

2 Channels of professional balanced analog audio via XLR connectors and 2 channels of consumer unbalanced via RCA connections.

Analog Audio Output

2 Channels of professional balanced analog audio via XLR connectors.

AES/EBU Audio Input

2 Channels unbalanced with sample rate converter on BNC connector.

AES/EBU Audio Output

2 Channels unbalanced with sample rate converter on BNC connector.

SDI Audio Input

16 Channels embedded in SD/HD/2K/4K.

SDI Audio Output

16 Channels embedded in SD/HD/2K/4K.

HDMI Audio Input

8 Channels embedded in SD/HD/4K.

HDMI Audio Output

8 Channels embedded in SD/HD/4K.

Timecode Input

1 x XLR for LTC Input.

Timecode Output

1 x XLR for LTC Output.

Sync Input

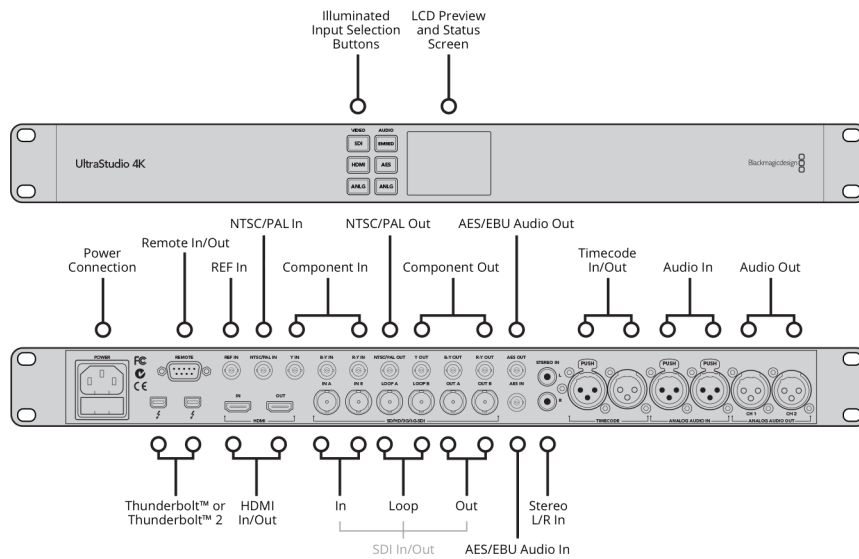
Black burst in SD or Tri-Sync in HD.

Device Control

Sony™ compatible RS422 deck control port. Serial ports TxRx direction reversible under software control.

Computer Interface

Thunderbolt™ or Thunderbolt™ 2



Codecs

Supports: AVC-Intra, AVCHD, Canon XF MPEG2, Digital SLR, DV-NTSC, DV-PAL, DVCPRO50, DVCPROHD, DPX, HDV, XDCAM EX, XDCAM HD422, Apple ProRes 4444, Apple ProRes 422 HQ, Apple ProRes 422, Apple ProRes LT, Apple ProRes 422 Proxy, Uncompressed 8 Uncompressed 10-bit 4:2:2, Uncompressed 10-bit 4:4:4.

Software

Software Included

Media Express, Disk Speed Test, LiveKey, Blackmagic System Preferences and Blackmagic driver.

Internal Software Upgrade

Firmware built into software driver. Software driver loads upgrades at system start or via updater software.

Software Applications



Other supported applications include: Nuke, Steinberg Nuendo, Avid Symphony, Avid News Cutter, Tools On Air just:in & live:cut & just:play & just:live, Softron OnTheAir, MovieRecorder and OnTheAir CG, Flash Media Encoder, Wirecast, Livestream Procaster, Resolume Avenue 4, Sony Vegas Pro, Corel VideoStudio Pro X4, CyberLink Power Director, MAGIX Video Pro X4, Vidblaster Pro & Studio & Broadcast, Uniplay, Playbox AirBox, CasparCG, Magicsoft CG, Xsplit Broadcaster, Imagine Communications Velocity & InfoCaster.

SDI Video Standards

SD Format Support

525/29.97 NTSC, 625/25 PAL.

HD Format Support

1280 x 720p50, 1280 x 720p59.94, 1280 x 720p60, 1920 x 1080i50, 1920 x 1080i59.94, 1920 x 1080i60, 1920 x 1080PsF23.98, 1920 x 1080PsF24, 1920 x 1080PsF25, 1920 x 1080PsF29.97, 1920 x 1080PsF30, 1920 x 1080p23.98, 1920 x 1080p24, 1920 x 1080p25, 1920 x 1080p29.97, 1920 x 1080p30, 1920 x 1080p50, 1920 x 1080p59.94, 1920 x 1080p60.

2K Format Support

2048 x 1080PsF23.98, 2048 x 1080PsF24, 2048 x 1080PsF25, 2048 x 1080p23.98, 2048 x 1080p24, 2048 x 1080p25.

Ultra HD Format Support

3840 x 2160p23.98, 3840 x 2160p24, 3840 x 2160p25, 3840 x 2160p29.97, 3840 x 2160p30, 3840 x 2160p50*, 3840 x 2160p59.94*, 3840 x 2160p60*. *Output only

4K Format Support

4096 x 2160p23.98, 4096 x 2160p24, 4096 x 2160p25.

SDI Compliance

SMPTE 292M, SMPTE 259M, SMPTE 296M, SMPTE 372M, SMPTE 425M Level A and B, ITU-R BT.656 and ITU-R BT.601.

Audio Sampling

Television standard sample rate of 48 kHz and 24 bit.

Video Sampling

4:2:2 and 4:4:4*
*4K is 4:2:2

Color Precision

10-bit YUV up to 4K, 12-bit* RGB in HD and 2K *Output only

Color Space

REC 601, REC 709

SDI Metadata Support

VITC read for 3:2 pulldown removal. VANC capture and playback using up to 3 lines of video in file. HD RP188. Closed captioning.

HDMI Video Standards

SD Format Support

525/29.97 NTSC, 625/25 PAL.

HD Format Support

1280 x 720p50, 1280 x 720p59.94, 1280 x 720p60, 1920 x 1080i50, 1920 x 1080i59.94, 1920 x 1080i60, 1920 x 1080p23.98, 1920 x 1080p24, 1920 x 1080p25, 1920 x 1080p29.97, 1920 x 1080p30, 1920 x 1080p50, 1920 x 1080p59.94, 1920 x 1080p60.

Ultra HD Format Support

3840 x 2160p23.98, 3840 x 2160p24, 3840 x 2160p25, 3840 x 2160p29.97, 3840 x 2160p30, 3840 x 2160p50*, 3840 x 2160p59.94*, 3840 x 2160p60*. *Output only

4K Format Support

4096 x 2160p23.98, 4096 x 2160p24.

HDMI Compliance

HDMI 1.4b

HDMI Resolution

Pixel for pixel up to 4K resolutions.

HDMI Color Precision

10-bit RGB* in HD *capture only, output available via future software update. 10-bit YUV in HD and 4K.

Copy Protection

HDMI input is unable to capture from copy protected HDMI sources. Always confirm copyright ownership before capture or distribution of content.

Processing

Colorspace Conversion

Hardware based real time.

3D Processing

Dual stream and frame packed capture & playback.

HD Down Conversion

Built in, high quality hardware down converter outputs HD-SDI on SDI A output, SD-SDI on SDI B output and Composite and S-Video when working in HD video formats on playback. Switch analog video to Component and choose HD or SD output. Selectable between letterbox, anamorphic 16:9 and center cut 4:3 styles.

HD Up Conversion

Built-in, high quality hardware up conversion from SD to 720HD or 1080HD on playback. Selectable between 4:3 pillarbox, 14:9 pillarbox and 16:9 zoom. HD outputs via HD-SDI, HDMI and component analog.

HD Cross Conversion

Built in, high quality hardware cross conversion from 720HD to 1080HD and 1080HD to 720HD on playback.

Real Time Effects

Final Cut Pro X internal effects. Premiere Pro CC. Mercury Playback Engine effects. Avid Media Composer internal effects.

Physical Installation

Requires computer with a Thunderbolt or Thunderbolt 2 port. Please check support pages to see the full system requirement.

Operating Systems



Mac OS X 10.9 Mavericks, Mac OS X 10.10 Yosemite, Mac OS X 10.11 El Capitan or later.



Windows 8.1 or Windows 10.

Power Requirements

1 x built-in international AC power supply with IEC C14 inlet. 120-240V, 50-60Hz.

Physical Specifications



Environmental Specifications

Operating Temperature

5° to 40° C (32° to 104° F)

Storage Temperature

-20° to 45° C (-4° to 113° F)

Relative Humidity

0% to 90% non-condensing

Safety Compliance



What's Included

UltraStudio 4K
Software SD Card

Warranty

3 Year Limited Manufacturer's Warranty.

All items on this website are copyright Blackmagic Design Pty. Ltd. 2016, all rights reserved.
All trademarks are property of their respective owners. MSRP excludes sales taxes/duties and shipping costs.

Blackmagic Design Authorized Reseller